

# COMMERCIAL DATA SHEET

## Alpine 060 Round Slimline



### Billi Alpine 060 with Round Slimline Dispenser

Enjoy refreshing chilled and a continuous supply of filtered water. Billi's Alpine 060 offers a premium filtered drinking water experience.

Even after the chilled tank reserve has been depleted, the Alpine 060 is capable of dispensing a continuous stream of cool filtered water supplied from the round slimline dispenser with single pin lever operation.



CHILLED



Round Slimline Dispenser

Alpine Under-Bench Unit



### Features

SPACE SAVING DESIGN	ENERGY EFFICIENT	NO CUPBOARD VENTILATION REQUIRED	UNLIMITED FILTERED WATER	ADJUSTABLE CHILLED TEMPERATURE
WATER COOLED TECHNOLOGY	RANGE OF FINISHES	EASY INSTALLATION	AUSTRALIAN DESIGNED & MADE	HACCP INTERNATIONAL CERTIFICATION

## PRODUCT SPECIFICATIONS

Water type	Product code	Model name	Dispenser	Suggested no. of people	Chilled water delivery (cups per hour)	Power supply (amps)
CHILLED	932060R	Alpine 060	Round Slimline	Up to 12	60	10

### Accessories

**992810** - Slimline Font

**990724** - Tubing Extension Kit for Slimline 2mtrs



### Finishes

#### Standard Finishes

CH - Chrome	BR - Brushed
MB - Matte Black	MW - Matte White

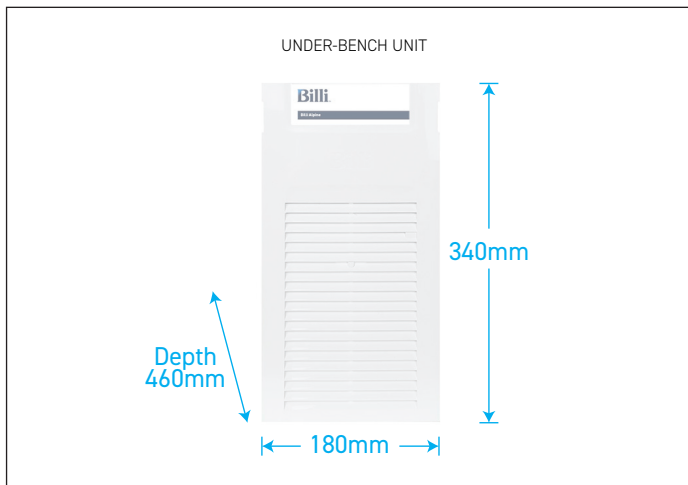
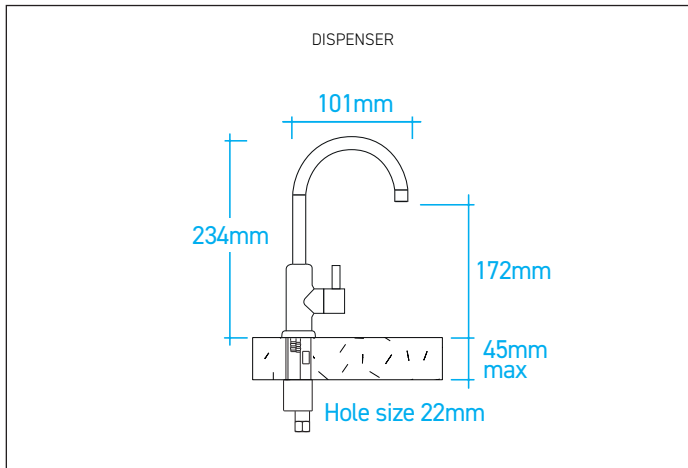
#### Special Order Finishes

RG - Rose Gold	BRG - Brushed Rose Gold	GM - Gun Metal Grey
PL - Platinum	UB - Urban Brass	

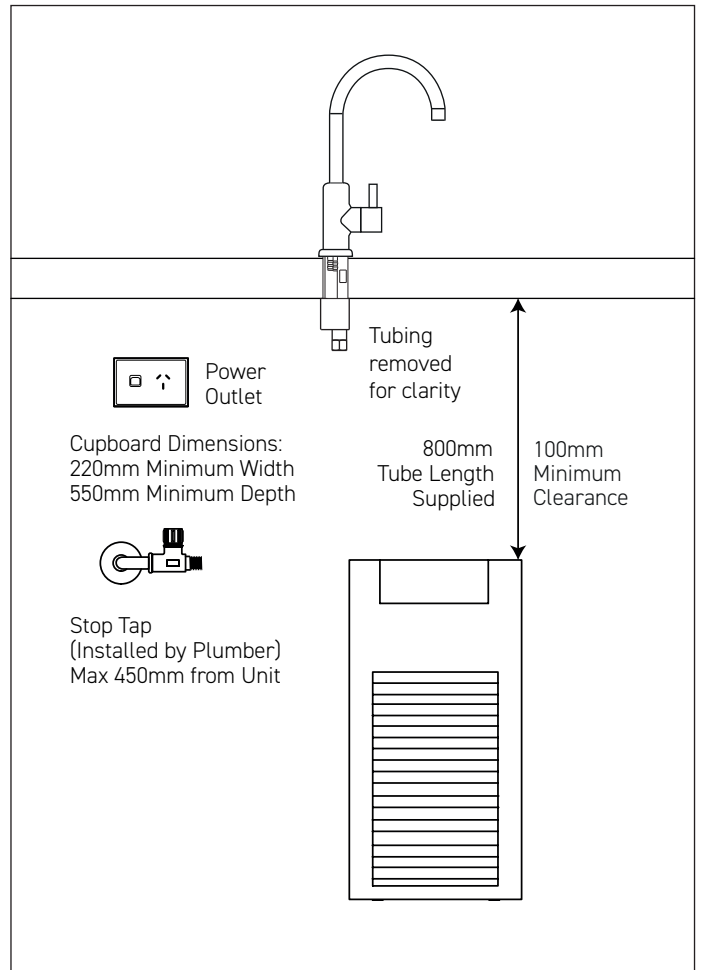
Add the Finish code to the Product Code to finalise your specification, eg. 932060RMB

# TECHNICAL DRAWING & INSTALLATION REQUIREMENTS

## PRODUCT DIMENSIONS



## PREFERRED INSTALLATION LAYOUT



### WATER SUPPLY

A single 1/2" BSP (15mm) stop-tap with a male thread should be installed in an easily accessible position. Water supply must be microbiologically safe to drink, with a minimum dynamic water pressure of 250kPa and a maximum of 1000kPa.

### POWER SUPPLY

A standard 10 amp power outlet is required, no further than 1000mm from the underbench unit. The system is supplied with a 1 metre flex cord and plug.

### FILTRATION

Billi's range of premium filters utilise BWT's unique Fibron X technology. Billi's filter range provides superior taste, water quality, consistent filter life and peace of mind when it comes to hygiene.

Filter supplied: 994051 (5 micron). Replacement filters available: 994052 (0.2 micron), 994054 (HSD), 994055 (XPHSD), 994056 (Sediment only) and 994060 (0.2 micron sediment only).

### CERTIFICATIONS

Every Billi drinking water appliance is manufactured under a certified quality control system. All Billi commercial range models have been tested and comply with all required standards including: Watermark: WM-021882; HACCP: PE-872-WAT-1-02; ISO 9001:2015, QEC 11627; Tested to ATS5200.105 and AS/NZ 4020; Section J6.6 of the BCA; WELL Cornerstone Member; WELS 6 star rating registration T29342.

### WARRANTY

The Billi Alpine Range is covered by a comprehensive 2 year warranty on all parts and labour.

# Billi™

Billi Australia Pty Ltd  
42 Lucknow Crescent,  
Thomastown, Victoria  
3074 Australia

P 1800 812 321  
F +61 3 9469 0499  
W www.billi.com.au

visit us at



Designed and manufactured in Australia to the highest quality standards