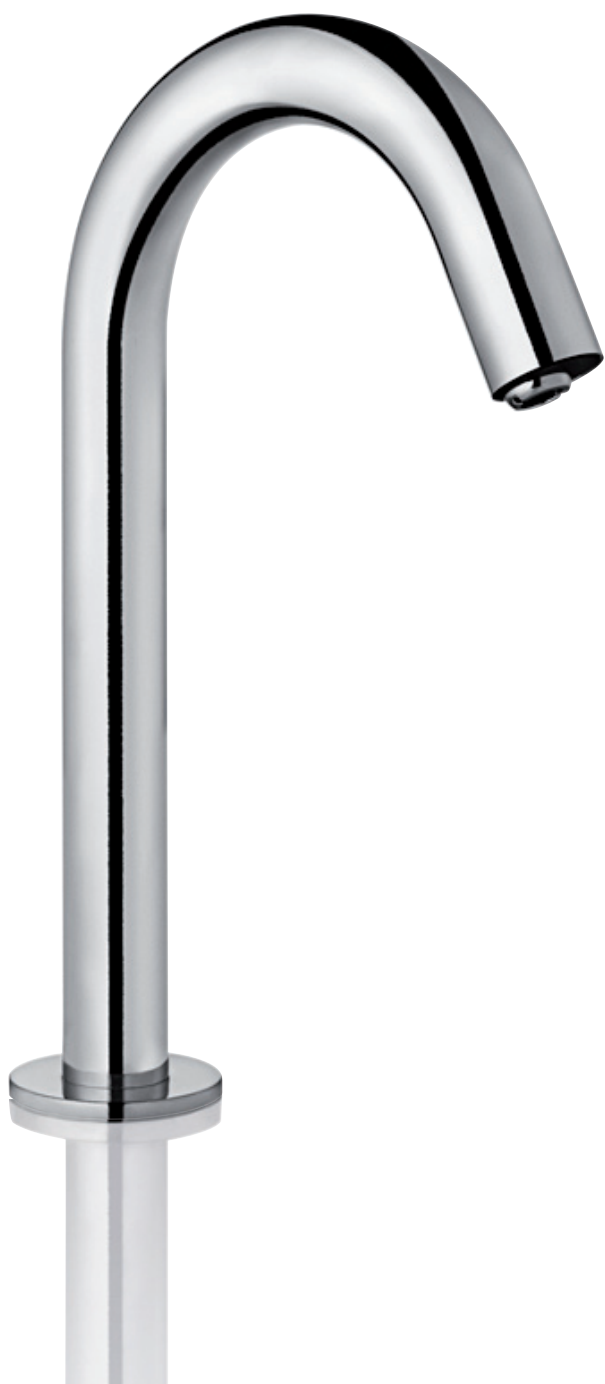

Billi Bench Mount
Sensor Tap
Hands-free Sensor Tap

Installation guide



Installation procedure.

1. Determine Component Location

Determine the location of each of the components, taking into account the tube lengths and space available. The installation location should be away from sources of bright light and sunshine. (see Diagram 1)

2. Plan Dispense Position

Determine the position of dispenser mounting hole in sinktop or benchtop. Hole size required is 35mm. (see Diagram 2)

3. Stainless Steel Sinktop

A suitable 35mm hole punch, (Part no: 200001) is available as an accessory from Billi Australia Pty Ltd. If possible, cut hole with die mounted below sinktop surface so that burr is pulled downwards. Alternatively remove burr and radius edge of hole with a fine file. This allows barbed dispenser mount to slide smoothly into mounting hole. Oil hole punch regularly. Lubricate surface to be cut with detergent.

4. Timber/Laminate Benchtop

Maximum benchtop thickness is 30mm. Cut 35mm hole in appropriate position. When drilling through a particle board benchtop, take care to avoid a large chip breaking away as drill breaks through underside surface. We recommend drilling a small pilot hole through the benchtop, partially drilling the 35mm hole from underneath and then completely drilling the hole from above.

5. Fit Tap Base and Faucet Body

- Remove burr if protruding upwards.
- Fit cover through mount hole ensuring small gasket is seated between cover and sinktop, and larger gasket seated between nut and sinktop. Screw nut on loosely by hand.
- Fit faucet body by feeding hose and loom through cover, then screw faucet body into cover by holding faucet body and rotating cover.
- Align faucet body. Finger tighten nut
- Using multigrips to grip the cut outs on the cover below the nut, moderately tighten nut using multigrips or spanner. Take care to avoid over-tightening nut. (see Diagram 3)

—IMPORTANT

Appropriate colour coded sticker compliant to local water regulatory requirements must be attached to front of spout to indicate the water temperature dispensed by the tap. (see Diagram 4)

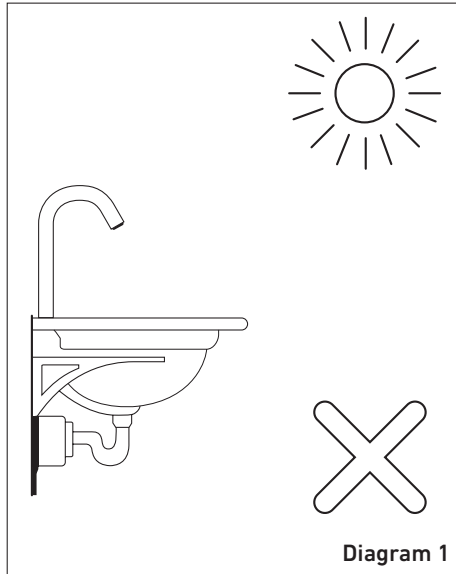


Diagram 1

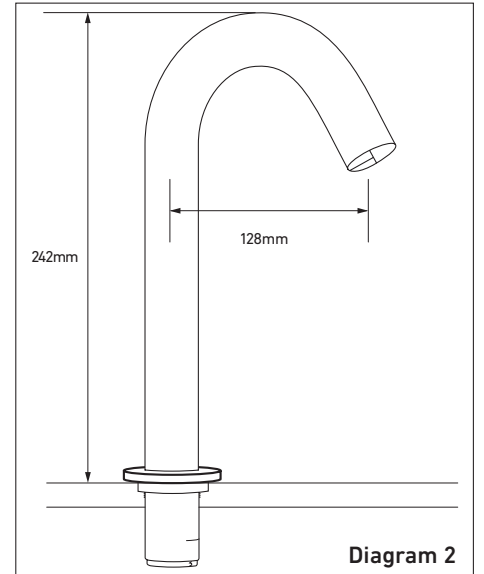


Diagram 2

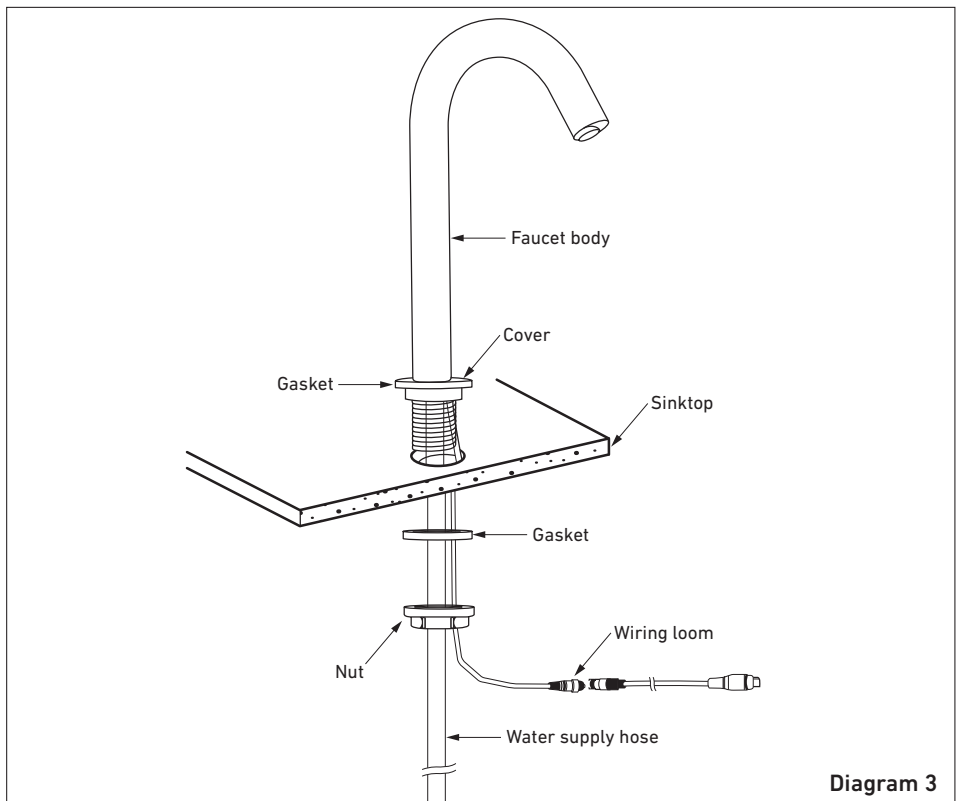


Diagram 3

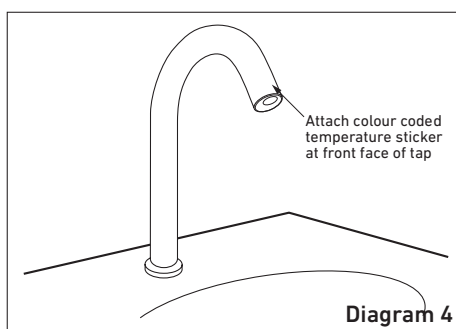


Diagram 4

Installation procedure.

6. Mount Control Box

Control box must be fitted no more than 1100mm from tap. Transformer power supply lead is 1300mm long. Attach control box to wall using 4 supplied wall plugs and screws. (see Diagram 5)

7. Control Box Connections

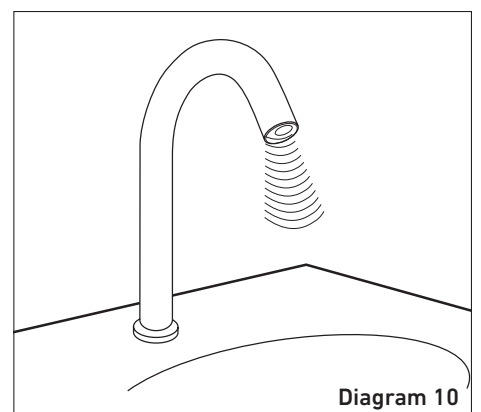
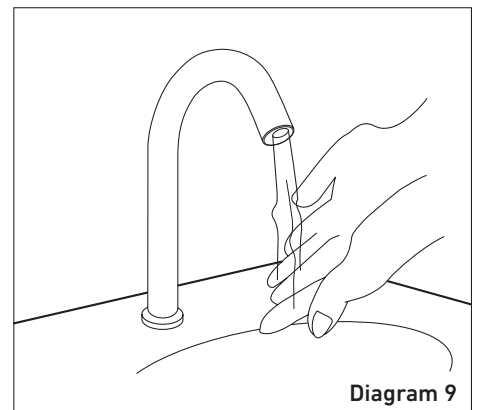
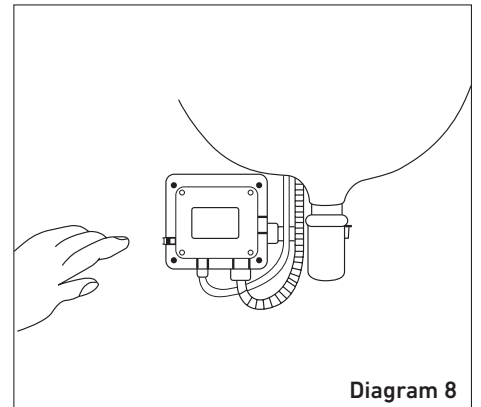
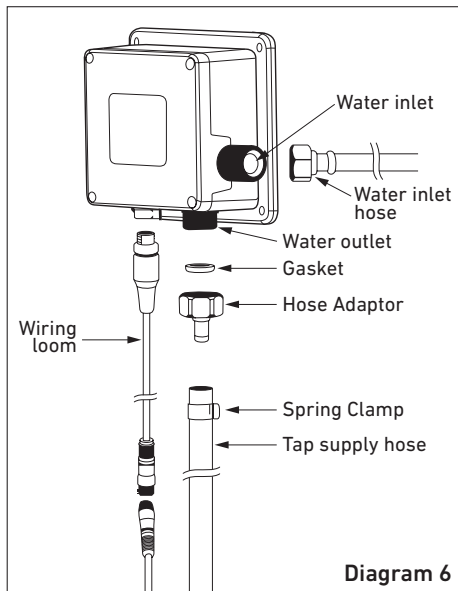
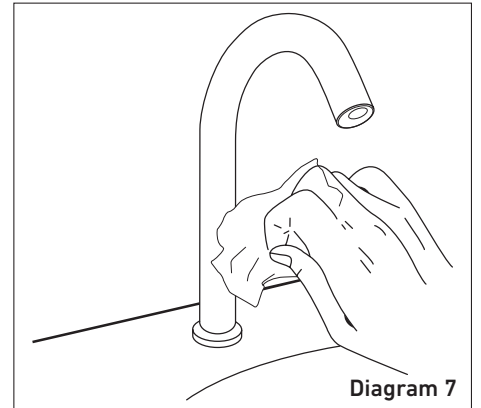
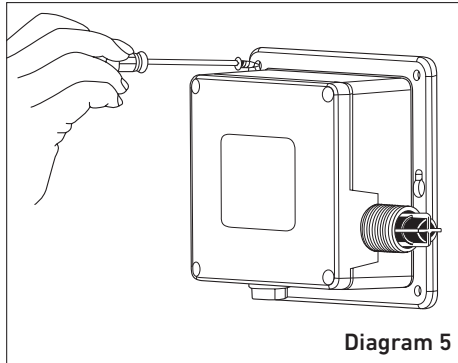
- Attach gasket and hose adaptor to water outlet.
- Fit tap supply hose to hose adaptor and secure with spring clamp.
- Attach wiring loom to 4 pin electrical socket and finger tighten locking ring.
- Attach a 1/2" mains water connection (max 700kpa) to water inlet.

8. Power Supply Connection

Connect small 2 pin transformer plug to 2 pin socket lead on control plug. Plug transformer into standard 240V 10A wall outlet and switch on. (see Diagram 6)

9. Commissioning

- Turn water supply on and check for leaks.
- Wipe clean sensor window on spout. (see Diagram 7)
- Press red 'Distance Detect' button on side of control box. This will allow the unit to adjust to light conditions in the installed location. You may hear the solenoid valve operating during this procedure. (see Diagram 8)
- Test operation by placing hands under tap. Water should flow within 0.5 seconds of detecting hands. (see Diagram 9)
- Move hands away from tap. Water supply should stop within 0.5 seconds. (see Diagram 10)



Troubleshooting.

FAULT	CAUSE	ACTION
No water	<ul style="list-style-type: none">– Water supply cut off– Dirt in the filter– Water pressure too low	<ul style="list-style-type: none">– Check water supply– Check filter (located in water inlet fitting)– Raise pressure
Water will not turn off	<ul style="list-style-type: none">– Sensor window dirty	<ul style="list-style-type: none">– Clean sensor window
Too little water flow	<ul style="list-style-type: none">– Water supply restricted– Dirt in the filter– Water pressure too low	<ul style="list-style-type: none">– Check water supply– Check filter– Raise pressure
Too much water flow	<ul style="list-style-type: none">– Water supply turned on too high– Water pressure too high	<ul style="list-style-type: none">– Adjust supply– Adjust pressure
Indicator light not on	<ul style="list-style-type: none">– PCB or wiring loom wet	<ul style="list-style-type: none">– Dry components

Billi Australia Pty Ltd
42 Lucknow Crescent, Thomastown
Victoria 3074 Australia

Telephone +61 3 9469 0400
Facsimile +61 3 9469 0499

www.billi.com.au

Designed and manufactured in
Australia.

As Billi Australia Pty Ltd has a policy of continual improvement, all details are subject to change without notice. All goods are sold subject to our published terms and conditions. Billi is a registered trademark. 0618