



Installation guide
Billi B-5000 Sparkling
Tap option XL
(915100)
REV04



Installation requirements.

XL

Unpacking your Billi B-5000 Sparking Unit

Before commencing installation, carefully check for any damage to outer carton, inner liner, appliance metalwork, pipework fittings and electrical power cord. If damage is found, please photograph and record details for use if a claim is to be made.

WARNINGS relating to this appliance must be read before commencing installation. Refer to page 8.

When unpacking your appliance, ensure you have identified the following components:

1. Boiling water module
2. Chilled water module
3. CO₂ cylinder
3. CO₂ regulator
4. Dispenser
5. Tube spring clamps x 2
6. Natural and 2 x black Ø6 mm PE tubes with stem elbows fitted
7. Extra 6mm stem elbow fitting
8. 600mm flexible braided hose
9. Filter cartridge (installed)
10. User guide
11. Warranty registration card
12. Warning label
13. Plastic Ø6mm tube cap
14. 5mm door spacer pads
15. Ventilation grille - cupboard base

Determine Unit Location

Plan the installation carefully, taking into consideration dispenser tube lengths, position of power and water outlets, ventilation airspace requirements and access for service. Refer to diagrams 1, 2, 3a, 3b and 4. Diagram 4 shows minimum clearances required around the units for ventilation

Water Supply

A single cold water supply point with a ½" BSP stop tap is required. Stop tap is to be installed in an easily accessible position, within 600 mm of the inlet to the boiling water module. The B5000 Sparkling incorporates a certified pressure limiting device with dual check valve for backflow prevention. Do not fit an additional pressure limiting valve. Sparkling chilled water module is supplied from an outlet fitting on the Boiling water module.

Dynamic supply pressure: Min. 250 kPa, max, 1000 kPa

Supply temp: Min. 5°C, max. 30°C

Do not install with water that is microbiologically unsafe or with water of unknown quality without adequate disinfection before or after the system. Systems certified for cyst reduction may be used on disinfected water that may contain filterable cysts.

Power Requirements

B-5000 Sparkling requires 2 single or 1 double 10 amp GPO, installed in an accessible position. Refer to Diagram 1. Power circuits must be fitted with an earth leakage protection device (RCD). Both boiling and chilled water module are supplied with a 1 meter flex cord and plug. Cupboard ventilation fan kits require an extra 10A GPO outlet.

Ventilation Grilles

A ventilation kit including lower cupboard vent grille and 5mm door spacers is supplied with each Billi Sparkling/Chilled water unit. Separate installation instructions are provided within the vent kit packaging. For lower usage, domestic installations, sufficient ventilation may be provided by natural air movement through the cupboard airspace. Minimum area of lower and upper air vent openings is 100 cm²

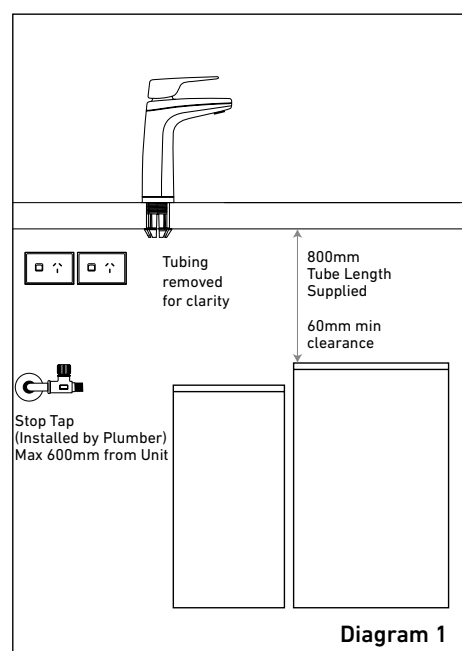


Diagram 1

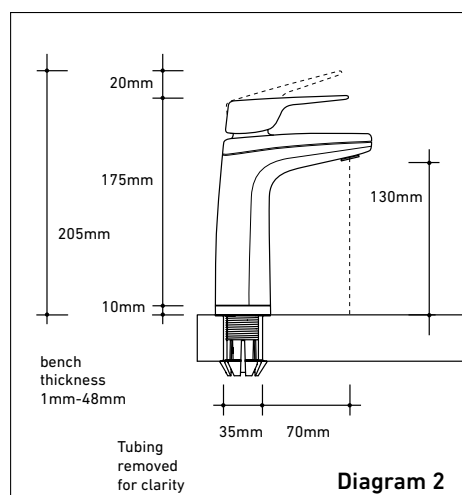
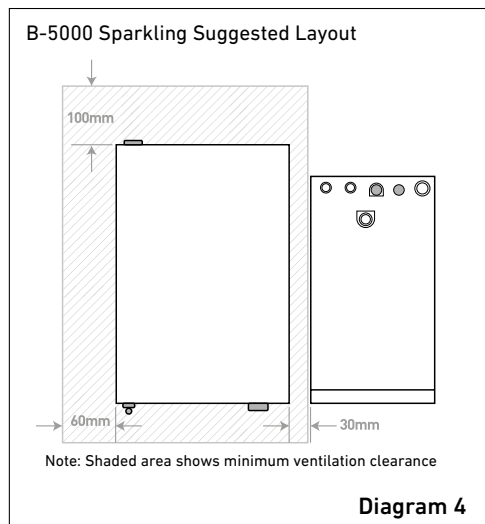
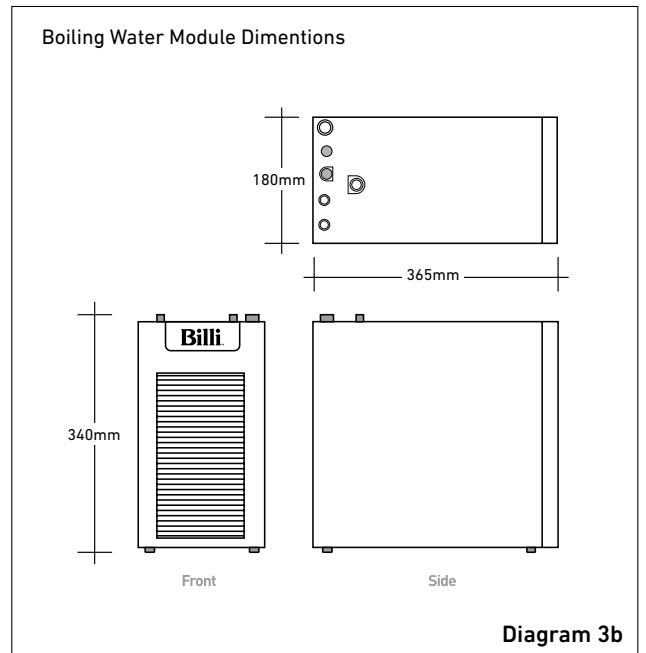
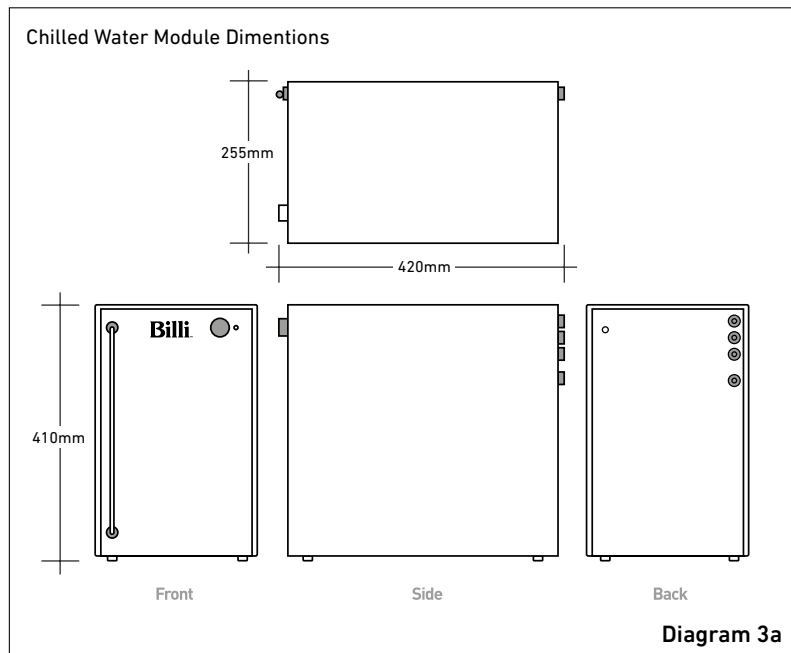


Diagram 2

Installation requirements. XL



Installing the dispenser. XL

IMPORTANT: This Billi appliance is to be installed by a licensed trades person in accordance with AS/NZS 3500.1 and AS/NZS 3500.2 and in compliance with applicable state regulatory requirements. For correct operation of this appliance, it is essential to observe the manufacturer's instructions.

1. Install Dispenser Assembly

Determine position of dispenser mounting hole in sink top or bench top. Dispenser base template (Diagram 5) may be cut out and used to assist in correct positioning. Refer to Diagram 2 for clearances allowed. Hole size required is $\varnothing 32\text{mm}$.

The Billi XL dispenser is supplied with base assembly preassembled into dispenser upper and this must be first removed prior to starting installation. Using allen key supplied in installation kit, remove chrome plated M4 screw from rear of housing. Twist base casting around 60° and then slide assembly out of upper housing. Carefully pull tubing and electrical cable and plug through base assembly.

—Stainless Steel Sinktop

A suitable 32mm hole punch (Part no: 857901) is available as an accessory from Billi Australia Pty Ltd. If possible, cut hole with die mounted below the sinktop surface so that burr is pulled downwards. Alternatively, remove burr and radius edge of hole with fine file. This allows barbed dispenser mount to slide smoothly into mounting hole.

—Timber/Laminate Benchtop

Maximum benchtop thickness is 50mm. Cut 32mm hole in appropriate position. When drilling through a particle board bench top, take care to avoid substrate chipping and breaking away as drill breaks through underside surface. We recommend drilling a small pilot hole through benchtop, partially drilling the 32mm hole from underneath and then completing drilling the hole from above. The large 30mm washer supplied may be used to secure barb where bench top substrate has chipped away.

—Granite/Marble Benchtop

For granite or marble bench tops we recommend that you use a certified stone mason to pre-drill the hole.

2. Activate Dispenser Swivel Feature

The XL dispenser can be installed either as locked into straight position or able to swivel 45° in either direction. To activate the swivel feature of your dispenser, remove the locking piece from the dispenser base. Simply push out the piece as show in Diagram 6. This will allow the tap to swivel to the left and right.

3. Fit Dispenser Base

- Cut a 32mm hole in sinktop or benchtop. Remove burr if protruding upwards.
- Push barbed mounting shaft through mount hole.
- Insert barb locking bush as shown in Diagram 7. Finger tighten nut.
- Ensure barb is centred in mount hole before tightening. Check position of base ring and gasket.
- Moderately tighten locking nut using multigrips or spanner. Take care to avoid overtightening nut which may break the plastic threaded shaft.
- Place large D washer over thread as shown in Diagram 7.

4. Fit Dispenser Head Assembly

- Feed dispenser tubing and loom through center hole in the following order:
 - Dispenser power cord
 - Silicone tubes
 - Blue PE tube.
- Gently pull hoses from under the bench top. Do not attempt to force tubing through with a pointed object as silicone tube is easily punctured. Check tubing is not kinked or twisted. Refer to Diagram 9.
- Turn dispenser head assembly to approximately 60° from the straight ahead position of dispenser base. Slide head assembly onto base assembly whilst gently pulling tubing downwards from underneath to prevent tubing bunching and kinking. Head retaining lugs will pass nut and slide down the 3 grooves on the swivel bearing.
- Once fully down, turn dispenser to straight ahead position. Fit chrome plated M4 retaining screw to lower rear threaded hole and tighten using the allen key supplied. If swivel feature is activated, check dispenser now swivels smoothly 45° in each direction.

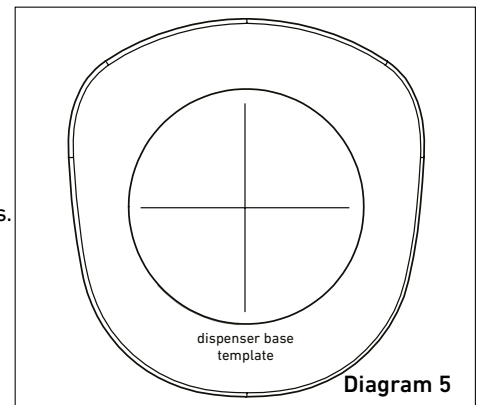


Diagram 5

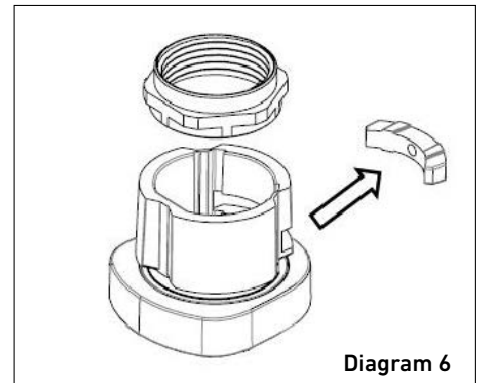


Diagram 6

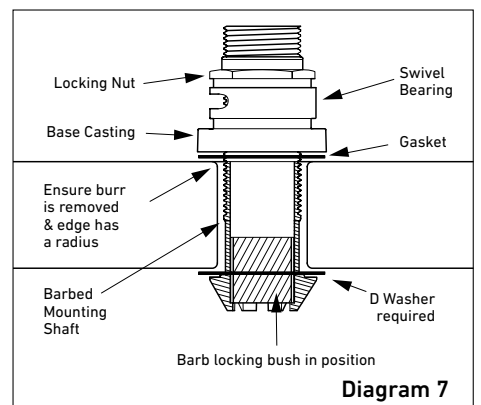


Diagram 7

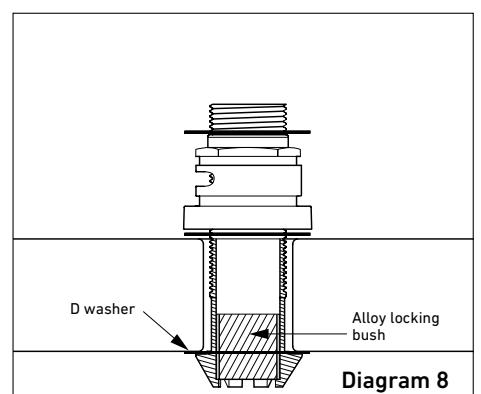


Diagram 8

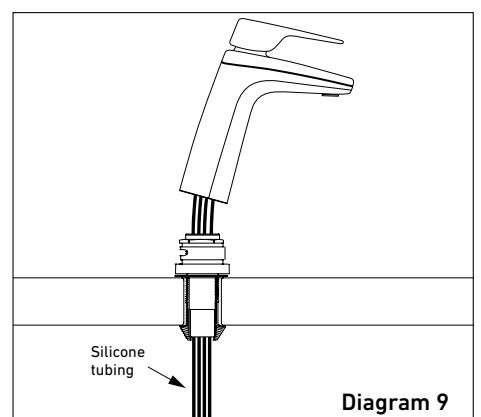


Diagram 9

Installing underbench module. XL

1. Flush Water Supply

Flush water supply pipework before installing the underbench unit by connecting 600mm flexible braided hose to the supply tap and running water into a bucket. NOTE: Blockages/unit malfunction caused by debris are not covered by warranty.

2. Install Underbench Unit

Take care to observe minimum clearances. Refer to Diagram 1 and Diagram 4. Ensure there is adequate clearance for ventilation and service access to the units, considering the tube lengths and space available.

3. Connect Dispenser Tubing and Plug

IMPORTANT: Boiling outlet (red), vent tube (grey) must not be kinked and must be installed with a continual fall and no sag.

Connect all tubing and electrical plug as shown in Diagrams 10 and 11.

- Trim silicon tubes to correct lengths using a sharp knife or plastic tube cutter. Avoid leaving excess tubing which will sag and trap water. Fit spring clamps to tubing prior to connecting.
- Red silicone tube pushes on to boiling module fitting labelled BOILING (RED). Secure with spring clamp supplied.
- Grey silicone tube pushes on to boiling module fitting labelled VENT (GREY). Secure with spring clamp supplied.
- Dispenser electrical cable Mini-Din connector plugs into boiling unit socket.
- 6mm PE tube connections are made using push-fit connectors. There are 3 x Ø6mm tubes supplied loose in your installation kit; 2 x black, and 1 x natural (clear). Each tube has an elbow fitting attached to one end. An additional 6mm elbow is supplied which is to be fitted to the blue dispenser tube once tube has been trimmed to correct length.
- Tube elbows are inserted into fittings at rear of chiller. Refer to diagram 10 and 11 for correct tube orientation and colour coding.
Tip. It is easiest to fit these tubes to chiller before unit is installed. Before inserting tubing into push-fit connectors, ensure that tube ends are cleanly cut and not flattened or kinked. Tube is pushed firmly into connector until properly seated. (To release, press the retaining collet ring inwards while pulling gently on the tube).
- Connect power lead with 6-way mini din plug from boiling module to socket located at rear RHS of the sparkling water module -refer to diagram 12. Rear mounted plug guide bracket helps to locate socket position and orientate plug correctly.

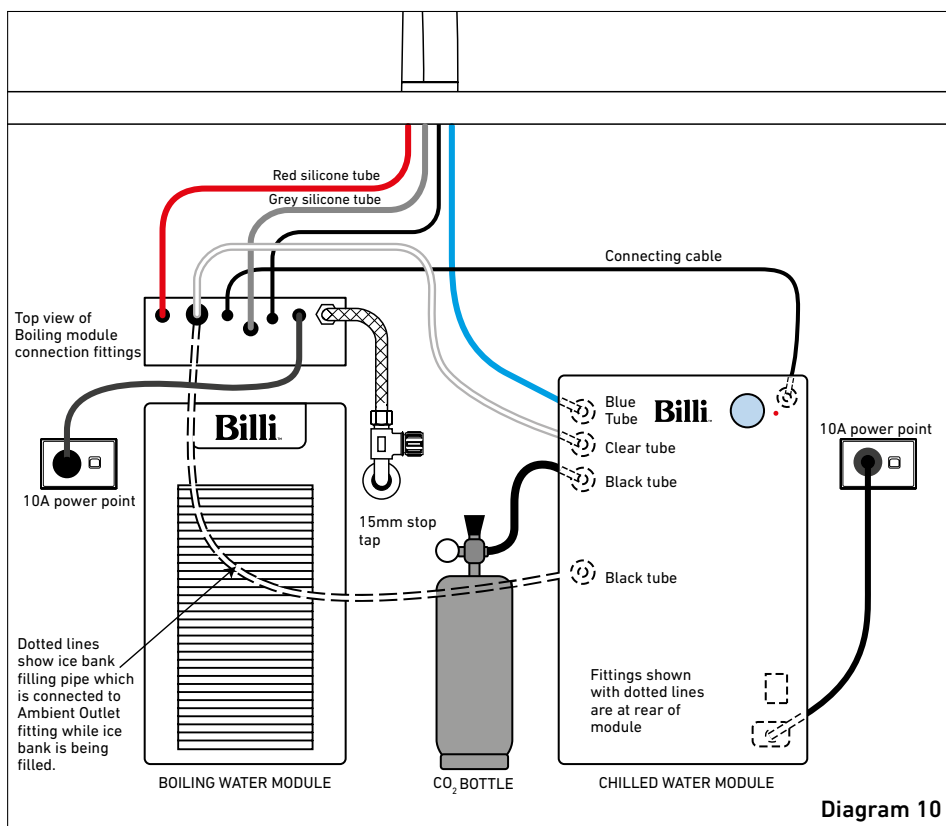


Diagram 10

NOTE: At this stage, do not connect CLEAR feed tube between boiling and chilled water modules. This will be connected once ice bank had been filled. Instead, connect the BLACK tube to the ambient water fitting on the boiling module. Refer to diagram 10.

4. Connect CO₂ bottle and pressure regulator

- Remove CO₂ bottle from packaging box. Remove plastic cap from threaded outlet of bottle.
- Remove CO₂ pressure regulator from packaging and check pressure control knob is turned fully anticlockwise.
- Holding the CO₂ bottle upright, screw the pressure regulator onto outlet. A small amount of CO₂ gas will escape until regulator has been tightened.
- Decide location of CO₂ bottle in cupboard space.
- Black Ø6 mm tube from chiller module connects to outlet of gas regulator. Trim tube to correct length, push into fitting and tighten retaining nut. Refer to Diagram 10 & 13.

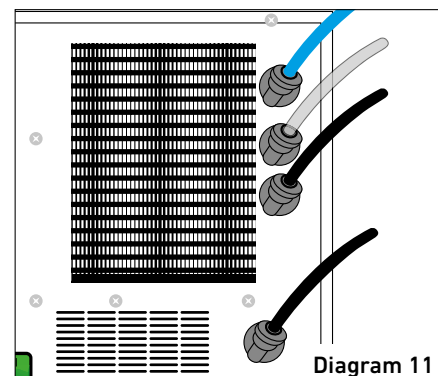


Diagram 11

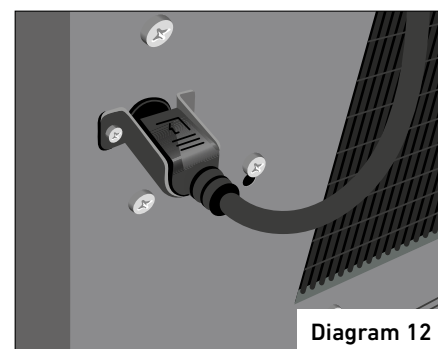


Diagram 12

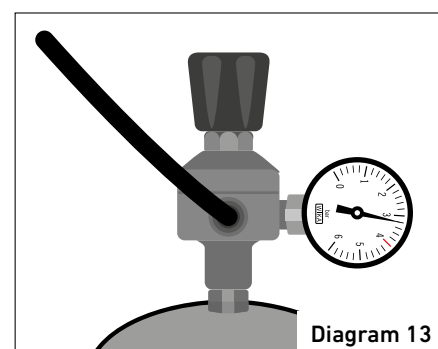


Diagram 13

Commissioning XL

Turn on Water Supply

Remove boiling module front panel. Remove foam packing piece from under filter canister. Ensure filter is securely locked back into place. Turn on water supply tap and ensure that there are no leaks.

Turn on power to boiling and chilled modules

Plug both boiling module power lead and chiller module power lead into power points and switch on. Ensure chiller power switch located at the rear of unit is ON (Diagram 14). Boiling and Sparkling units will begin filling automatically.

Fill Sparkling Chiller Module ice bank

- Fit black ice bank fill tube from chiller into 'AMBIENT OUTLET' fitting on Boiling Module. Refer to Diagram 10.
- Lift cold water lever on dispenser tap. After about 15 seconds, water will show in the bottom of the sight glass tube. Watch this level rise as water is fed in. Note: If ambient water flow stops before ice bank is full, release cold lever and lift again. If FILL FAULT light shows, turn power switch at rear of chiller off and on.
- Release cold lever when water level reaches the minimum fill marker. Refer to Diagram 15. If tank is overfilled, disconnect sight glass elbow fitting from top bulkhead fitting and swing tube downwards and drain required amount of water. Water level in this tank will rise a little later as an ice bank forms.
- Disconnect Ø6 mm black fill tube from boiling module ambient water outlet fitting. Fit cap supplied in installation kit onto end of tube. Tuck black tube behind modules for later use.
- Connect clear Ø6 mm tube from chiller module to the boiling module fitting labeled 'AMBIENT OUTLET'.

Boiling water temperature calibration

Boiling water module will begin to heat after water level in the tank reaches the lower level sensor. The unit will also automatically begin a temperature calibration cycle. During the calibration cycle, hot water temperature continues to rise until it begins to boil. Once water is boiling, the temperature does not rise any further as all electrical energy is converted to steam. The unit will continue to boil for up to 30 seconds while the temperature sensor calibrates.

WARNING: Steam and small amount of hot water may be discharged from the taps and vent during this period. While calibration cycle is operating, the hot water indicator (red) will double blink rapidly.

Once calibration cycle is completed, the unit will resume normal operations and the calibration data is saved.

IMPORTANT: Do not turn power off to boiling water unit until calibration cycle has finished.

Chiller set up

- Ensure Chiller power lead is plugged into power point and turned on
- Ensure chiller module power switch located at rear of module is turned on.
- Lift chilled lever on dispenser and let the water run until it stops automatically. (60s)
- Return the chilled lever to the center position.
- Lift both levers up together and hold for about 20 seconds. Water should run from the dispenser.
- Release the levers and check for leaks

Set up CO₂ system

- Screw CO₂ cylinder into CO₂ regulator and hand tighten. Some gas may escape during this process.
- Open the CO₂ regulator by turning the black knob clockwise (diagram 12)
- Set the initial pressure to around 4 Bar.
- Press both tap levers and dispense water and ensure the gas pressure stabilizes. NOTE: Water carbonation levels will continue to increase until water in the soda canister has become chilled and air has been dispelled.

Purging air from the CO₂ system

Air trapped in the soda tank is detrimental to the production of sparkling water and full carbonation may not be reached until 2-3 days of use. To speed this process, it is beneficial to purge the tank with CO₂ using the following procedure:

- Lift both tap levers and allow soda water to flow.
- Continue to run the tap until the tank is empty and gas flows from the outlet. Soda water feed pump will continue to run.
- Release tap levers. Wait until soda water pump stops. Press both tap levers together and check that water flows.
- Press cold lever only and check that water flows.

Set Chilled Water Temperature

Set the desired water temperature using temperature control knob. Refer to Billi B-5000 Sparking User Guide. Chiller refrigeration system will run continuously for approximately 2 – 3 hours as ice is formed in the ice bank. As a significant amount of heat is dispelled during this time, it is advisable to leave a cupboard door ajar during the initial cool down. As ice expands, the water level in the ice bank tank will rise slightly. Check water level is within operating range on sight glass level markings. Water level can be reduced if necessary. See Diagram 15.

NOTE: To drain water from ice tank, disconnect upper sight-glass fitting, swing tube downwards and drain water into a cup or container.

Adjusting carbonation level

It is advisable to wait for cold water temperature to stabilize and air to be purged from the sparkling water unit before adjusting the carbonation level. Initial set point may vary once the unit is running. You may need to adjust the pressure once the system has stabilized. A pressure between 3 and 4 Bar will typically provide the right level of carbonization.

WARNING: CO₂ pressure must not exceed 5 bar

Re-check connections for leaks. Explain operation to user.

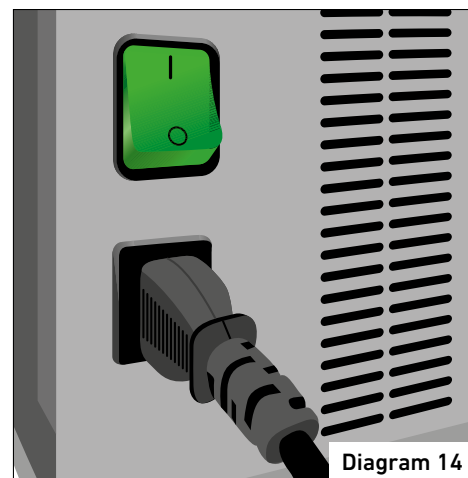


Diagram 14

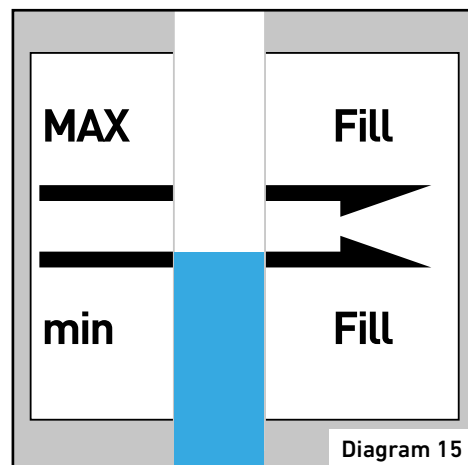


Diagram 15

Commissioning Checklist

WARNINGS.

CHECK EACH OF THE FOLLOWING ITEMS:

- Filter packing foam removed from under filter cannister.
- Dispenser mounted securely – M4 chrome retaining screw fitted.
- Dispenser swivels 45° in each direction (if activated) - locking piece is removed.
- Tubing is cut to correct lengths and not kinked or sagging. Red and grey silicone tubes have a continual fall.
- Tubing secured correctly – nuts and spring clips fitted.
- Water main flushed before connection to unit.
- Unit connected to COLD water supply.
- Correct air clearances around unit.
- Power circuit fitted with an RCD – earth leakage protection device.
- Sawdust cleaned out of cupboard area.
- Door vents and spacer pads fitted correctly
- Initial program settings correctly set for dispenser tube length.
- Unit heating and cooling (after initial fill). Red and blue dispenser icons flashing (or on continually when reached correct temperature).
- Boiling and chilled water flow correct.

If any difficulties arise contact
Billi Australia Pty Ltd: Phone 1800 812 321
(Free call). Validate your warranty online at
www.billi.com.au

For information on our filtration
and service contracts please contact
Billi Customer Service on 1800 812 321
or service@billi.com.au.



Scan the QR Code to access the Support page
and Shop online.

For continued safety of this appliance it must be installed, operated and maintained in accordance with the manufacturer's instructions. For correct operation of this appliance, it is essential to observe the instructions as outlined in this booklet.

- Your appliance should be installed by a suitably qualified tradesperson.
- For correct operation of this appliance it is essential to observe the instructions as outlined in this booklet.
- Do not use this appliance with water that is microbiologically unsafe or with water of unknown quality without adequate disinfection before or after the system. Systems certified for cyst reduction may be used on disinfected water that may contain filterable cysts.
- Filter replacement must be performed at intervals of not more than 12 months.
- Use this appliance only as directed in these instructions and relevant Billi User Guide and only for its designed purpose.
- Do not install unit if power cord is damaged.
- This appliance is not intended for use by persons (including children) with reduced physical, sensory or mental capabilities, or lack of experience and knowledge, unless they have been given supervision or instruction concerning use of the appliance by a person responsible for their safety.
- Always activate boiling water safety lock switch where children or mentally disabled persons could access the appliance.
- This appliance is designed for indoor installation only and must not be exposed to direct sunlight, rain and excessive heat, cold, damp or dust.
- Do not store solvents or corrosive chemicals or other flammable items on or around this appliance
- DANGER:** High Voltages. Power supply must be disconnected before cleaning or removing and outer covers form the appliance. Any service or unit repairs must be performed by a trained and suitably qualified technician.
- Children should be supervised to ensure that they do not play with the appliance.
- DANGER:** The operation of the thermal cut-out indicates a possibly dangerous situation. Do not reset the thermal cut-out until the water heater has been serviced by a qualified person.
- WARNING:** Do not connect any restrictor or pressure relief device to the vent pipe of this water heater if installed.
- If the supply cord is damaged, it must be replaced by the manufacturer, its service agent or similarly qualified persons in order to avoid a hazard.
- New hose-sets supplied with the appliance are to be used and old hose-sets should not be re-used.
- Packaging material including plastic bags must be kept out of reach of children and disposed of according to local regulations.
- If the appliance has been turned upside down during transport and handling, wait for at least 8 hours before switching appliance on.
- WARNING:** This appliance may deliver water at high temperature. Refer to the plumbing code of Australia (PCA), local requirements and installation instructions to determine if additional temperature control is required.
- WARNING:** Installation shall conform to the plumbing code of Australia (PCA).

Billi™

Billi Australia Pty Ltd
42 Lucknow Crescent, Thomastown
Victoria 3074 Australia
Telephone 1800 812 321
www.billi.com.au

Designed and manufactured in Australia.
As Billi Australia Pty Ltd has a policy of continual improvement, all details are subject to change without notice. All goods are sold subject to our published terms and conditions. Billi is a registered trademark. 04-0522

610015 Rev 04