

COMMERCIAL DATA SHEET

OmniOne Plus 9 XL & Paddle



Billi OmniOne Plus 9 with XL Levered Dispenser & Paddle Mixer

The OmniOne Plus 9 is the latest iteration of multifunction drinking water appliances from Billi.

The intersection of genuine innovation and sustainable design, OmniOne integrates Billi's renowned water-cooling and energy reclaim technologies into a single space-saving under bench control module with the added bonus of hot water for the sink.

With a 30% uplift in performance, whisper quiet in operation, ergonomic and acutely focused on the wellness & hygiene of it's users, the OmniOne Plus 9 range is the ultimate inclusion to the modern workplace or facility.

Specified for drinking water with the DDA compliant XL dispenser, hot water is supplied by the Paddle Mixer without the need to install a separate hot water service.



XL Levered Dispenser

Paddle Lever Mixer

OmniOne Plus 9 Under-Bench Unit



Features



SAFE TO OPERATE



ENERGY EFFICIENT



ADJUSTABLE CHILLED TEMPERATURE



ADJUSTABLE SPARKLING LEVEL



WATER COOLED TECHNOLOGY



HEAT EXCHANGE TECHNOLOGY



RANGE OF FINISHES



HACCP CERTIFIED[^]



GREENTAG CERTIFIED[^]

[^]Certification pending completion

PRODUCT SPECIFICATIONS

Water type	Product code	Model name	Dispenser	Suggested no. of people	50° hot water capacity litres (initial drawdown)	50° hot water delivery litres per hour	Boiling water delivery (cups per hour)*	Chilled & Sparkling water delivery (cups per hour)	Power supply (amps)
BOILING CHILLED SPARKLING PLUS	926065LP	OmniOne Plus 9	XL Levered	Up to 60	9	60	180	220	10 amp

* Based on the initial number of cups of boiling water immediately available, drawn one cup every 10 seconds. For all underbench filtered water systems, consideration may be needed for usage patterns and draw-off methods. 1 cup = 170ml

Accessories

992800 - 70mm Riser & Font



992820 - 70mm Riser



992803 - 120mm Riser & Font



992830 - 120mm Riser



990714 - Tubing Extension Kit for Plus unit - 1.8mtrs

990726 - Tubing Extension Kit for Sparkling unit - 2mtrs

Finishes

Standard Finishes

CH - Chrome

BR - Brushed

MB - Matte Black

MW - Matte White

Special Order Finishes

RG - Rose Gold

BRG - Brushed Rose Gold

GM - Gun Metal Grey

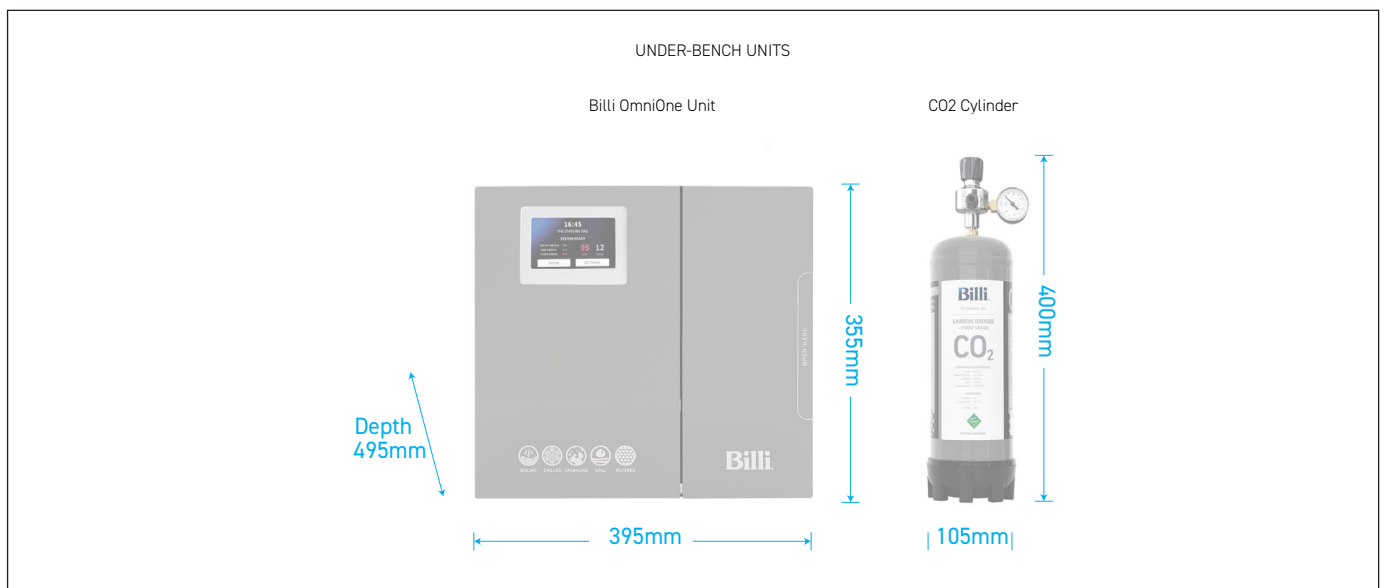
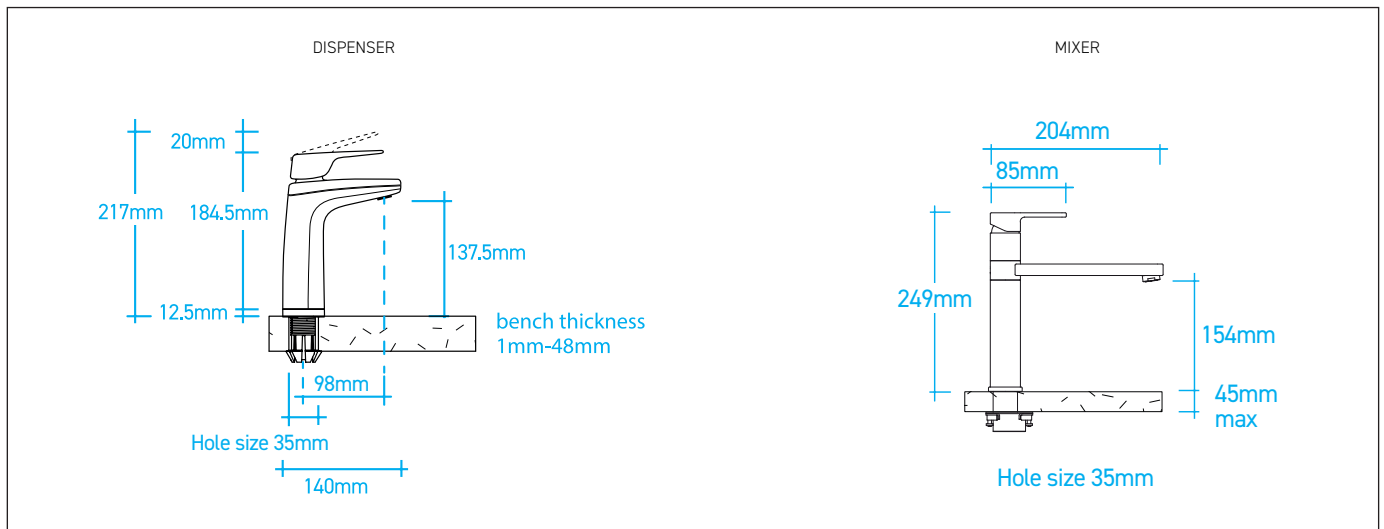
PL - Platinum

UB - Urban Brass

Add the Finish code to the Product Code to finalise your specification, eg. 926065LPMB

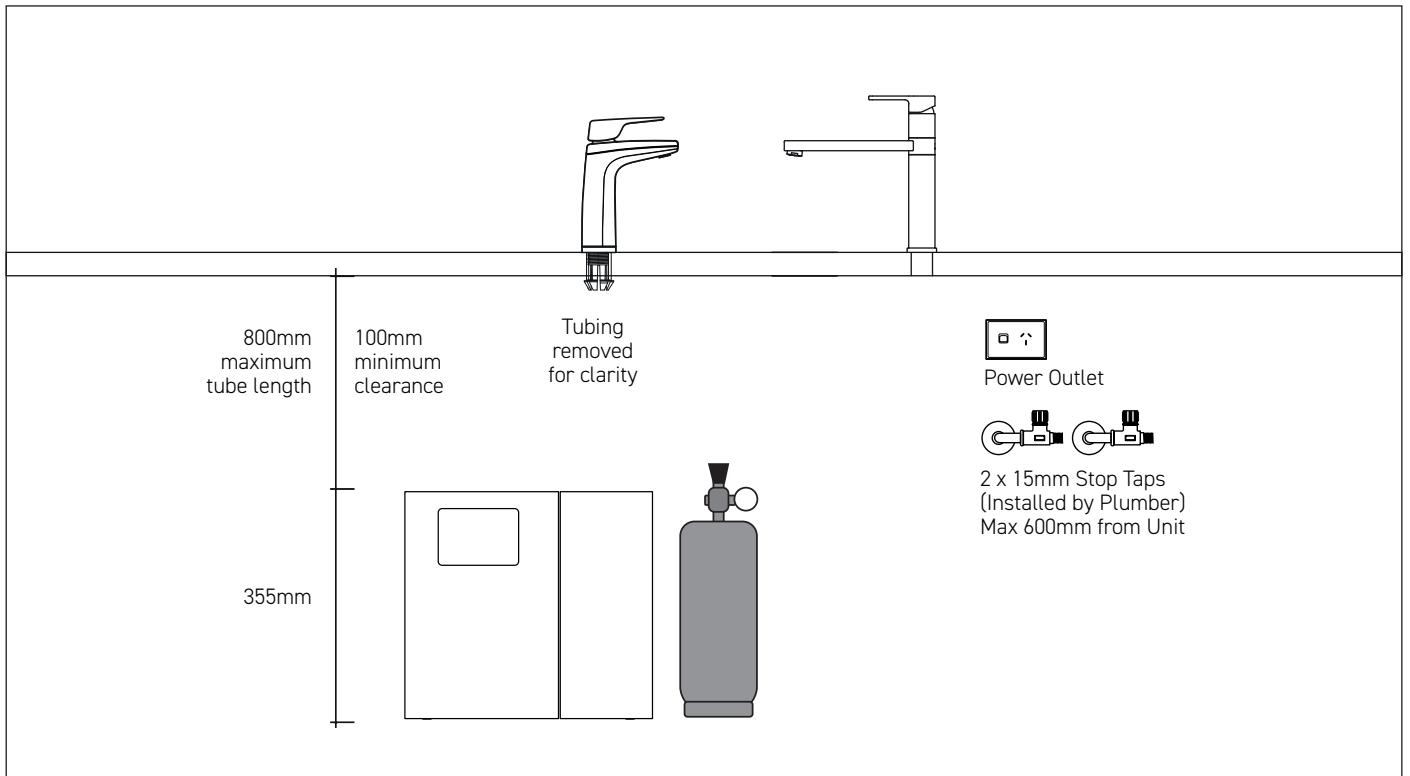
TECHNICAL DRAWINGS

PRODUCT DIMENSIONS



INSTALLATION REQUIREMENTS

PREFERRED INSTALLATION LAYOUT



WATER SUPPLY

Two (2) 1/2" BSP (15mm) stop-taps with a male thread should be installed in an easily accessible position. Water supply must be microbiologically safe to drink, with a minimum dynamic water pressure of 250kPa and a maximum of 1000kPa.

POWER SUPPLY

A single standard 10 amp power outlets are required, no further than 1000mm from the underbench unit. The system is supplied with a 1 metre flex cord and plug.

FILTRATION

Billi's range of premium filters utilise BWT's unique Fibron X technology. Billi's filter range provides superior taste, water quality, consistent filter life and peace of mind when it comes to hygiene.

Filter supplied: 994051 (5 micron). Replacement filters available: 994052 (0.2 micron), 994054 (HSD), 994055 (XPHSD), 994056 (Sediment only) and 994060 (0.2 micron sediment only).

CERTIFICATIONS

Every Billi drinking water appliance is manufactured under a certified quality control system. All Billi commercial range models have been tested and comply with all required standards including: Watermark: WM 021525; Tested to ATS5200.105 and AS/NZ 4020; ISO 9001:2015, QEC 11627; AS1428; WELL Cornerstone Member; WELS 6 star rating registration T40034.

CO₂ Cylinder

The CO₂ gas cylinder supplied must be secured in a suitable location. Each cylinder contains 1100g of CO₂ and should be installed in a well ventilated area. Each cylinder will provide between 200-350L of sparkling water depending on the unit settings. The MSDS is available on www.billi.com.au for a complete list of specifications and warnings. Replacement gas cylinders are available from Billi. CO₂ Cylinder - single 996911 or double 996912.

WARRANTY

The Billi OmniOne Plus Range is covered by a comprehensive 3 year warranty on all parts and labour.

Billi®



Billi Australia Pty Ltd
42 Lucknow Crescent,
Thomastown, Victoria
3074 Australia

P 1800 812 321
F +61 3 9469 0499
W www.billi.com.au

visit us at



Designed and manufactured in Australia to the highest quality standards