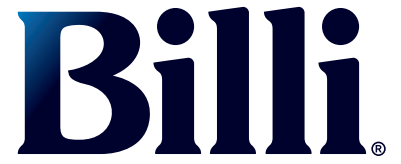


# COMMERCIAL DATA SHEET

## Quadra Plus 15 XT & Paddle



### Billi Quadra Plus 15 with XT Touch Dispenser & Paddle Mixer

Enjoy all the space saving benefits of Billi's water cooled boiling and chilled Quadra systems PLUS a separate sink mixer to ensure safety and convenience for all users.

Requiring only cold feed mains supply, the Quadra Plus mixes it's own hot water without the need for any additional under-bench space requirements or boosters.

All Quadra Plus boiling & chilled models are Global GreenTag certified to a Gold standard and require no joinery ventilation. Supplied standard with the sleek and contemporary touch sensitive XT drinking water dispenser, and 6 star rated paddle lever mixer tap, the solution is both functional and appealing.



BOILING



CHILLED



PLUS



Up to 100

XT Touch Dispenser

Paddle Lever Mixer

Quadra Plus Under-Bench Unit



### Features



SPACE SAVING DESIGN



SAFE TO OPERATE



ENERGY EFFICIENT



HEAT EXCHANGE TECHNOLOGY



WATER COOLED TECHNOLOGY



NO CUPBOARD VENTILATION REQUIRED



AUSTRALIAN DESIGNED & MADE



GREENTAG CERTIFIED



EASY INSTALLATION

### PRODUCT SPECIFICATIONS

| Water type          | Product code | Model name     | Dispenser | Suggested no. of people | 50° hot water capacity litres (initial drawdown) | 50° hot water delivery litres per hour | Boiling water delivery (cups per hour)* | Chilled water delivery (cups per hour) | Power supply (amps) |
|---------------------|--------------|----------------|-----------|-------------------------|--|--|---|--|---------------------|
| <br>BOILING CHILLED | 904105TP     | Quadra Plus 15 | XT Touch  | Up to 100               | 15   | 85                                     | 250                                     | 175                                    | 15                  |
| <br>PLUS            |              |                |           |                         |  |  |   |  |                     |

\* Based on the initial number of cups of boiling water immediately available, drawn one cup every 10 seconds. For all underbench filtered water systems, consideration may be needed for usage patterns and draw-off methods. 1 cup = 170ml

## Accessories

**992800** - 70mm Riser & Font

**992820** - 70mm Riser

**992803** - 120mm Riser & Font

**992830** - 120mm Riser



**990714** - Tubing Extension Kit for Plus unit - 1.8mtrs

## Finishes

Standard Finishes

CH - Chrome

BR - Brushed

MB - Matte Black

MW - Matte White

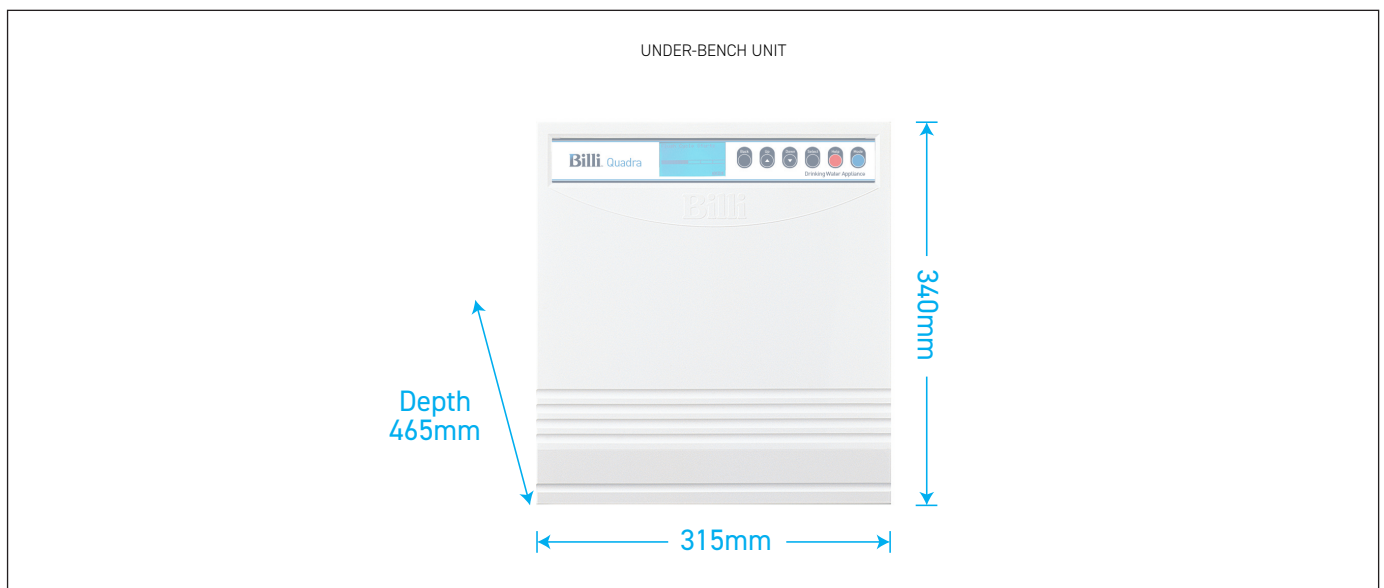
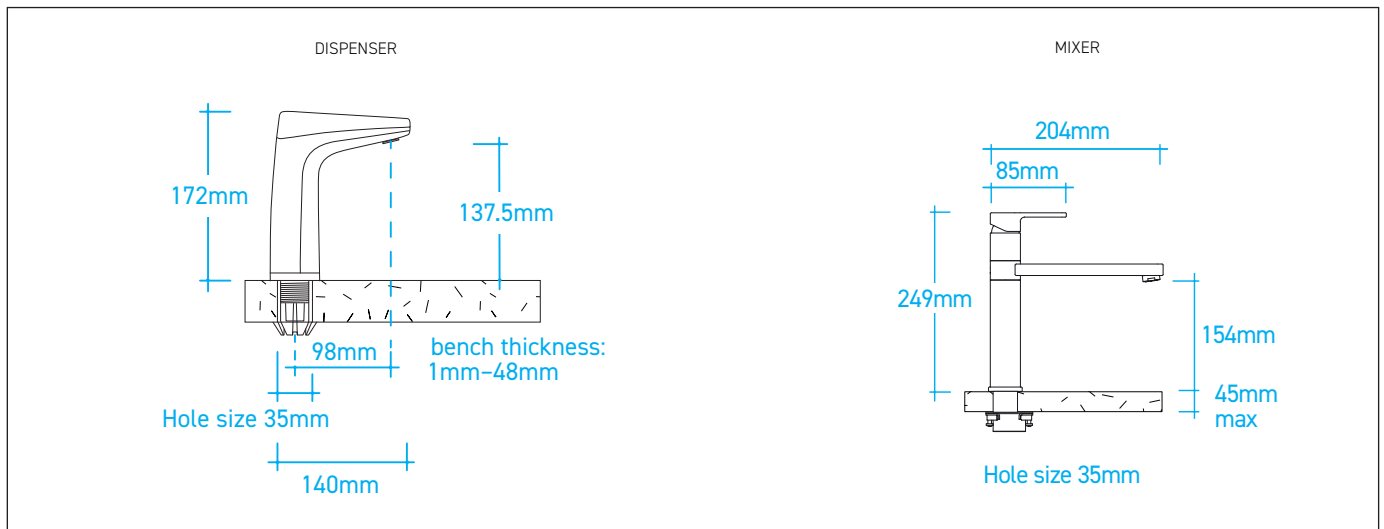
Special Order Finish

RG - Rose Gold

Add the Finish code to the Product Code to finalise your specification, eg. 904105TPCH

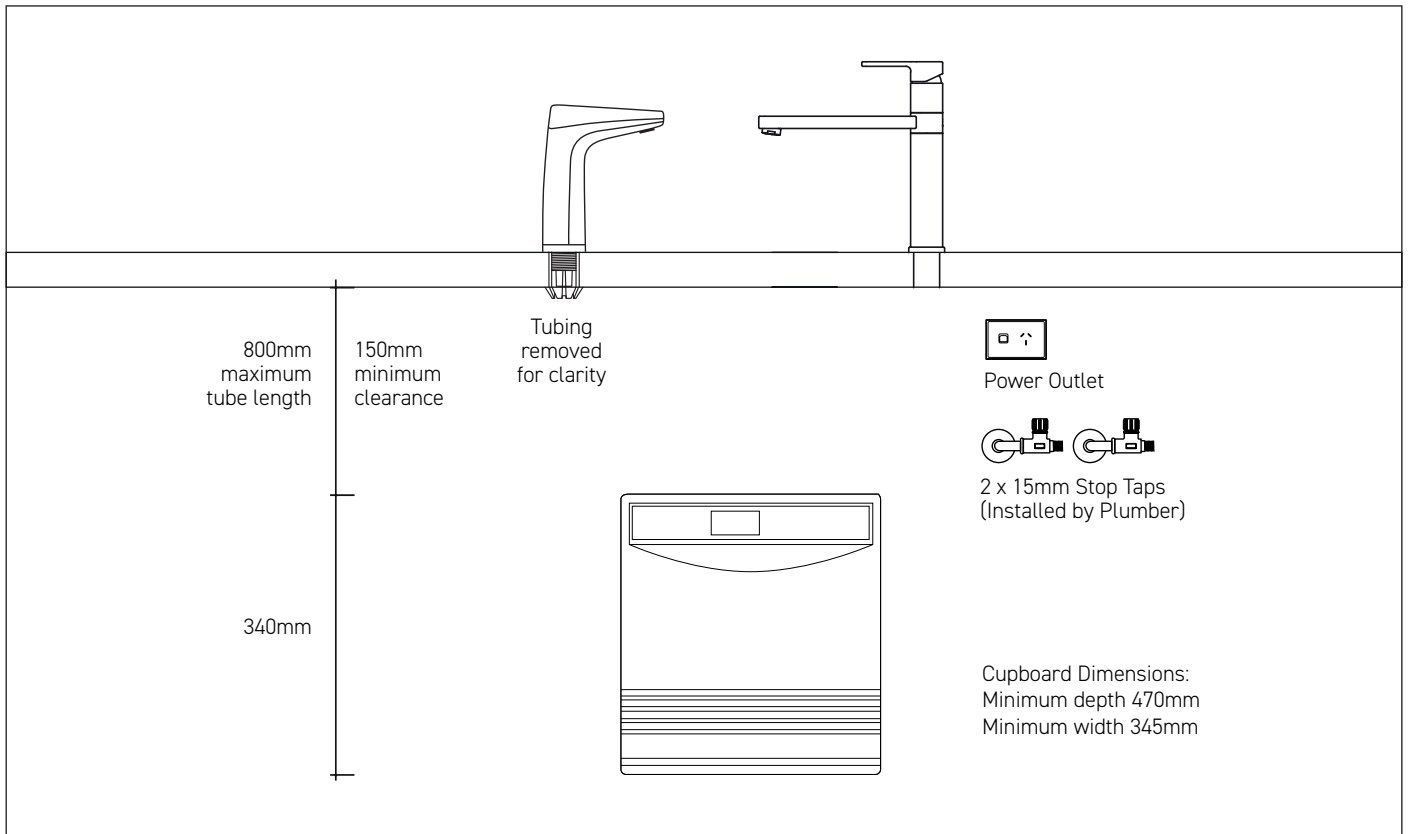
## TECHNICAL DRAWINGS

### PRODUCT DIMENSIONS



# INSTALLATION REQUIREMENTS

## PREFERRED INSTALLATION LAYOUT



### WATER SUPPLY

Two (2) 1/2" BSP (15mm) stop-taps with a male thread should be installed in an easily accessible position. Water supply must be microbiologically safe to drink, with a minimum dynamic water pressure of 250kPa and a maximum of 1000kPa.

### POWER SUPPLY

A standard 15 amp power outlet is required, located no further than 1000mm from the underbench unit. The system is supplied with a 1 metre flex cord and plug.

### FILTRATION

Billi's range of premium filters utilise BWT's unique Fibron X technology. Billi's filter range provides superior taste, water quality, consistent filter life and peace of mind when it comes to hygiene.

Filter supplied: 994051 (5 micron). Replacement filters available: 994052 (0.2 micron), 994054 (HSD), 994055 (XPHSD), 994056 (Sediment only) and 994060 (0.2 micron sediment only).

### CERTIFICATIONS

Every Billi drinking water appliance is manufactured under a certified quality control system. All Billi commercial range models have been tested and comply with all required standards including: Watermark: WM-021525; Certified to AS/NZ3498 and AS/NZ 4020; ISO9001:2015, QEC 11627; Section J6.6 of the BCA; Global GreenTag LCARate Gold; HACCP: PE-872-WAT-1-02; WELL Cornerstone Member; WELS 6 star rating registration T40034.

### WARRANTY

The Billi Quadra Plus Range is covered by a comprehensive 2 year warranty on all parts and labour.

# Billi®



Billi Australia Pty Ltd  
42 Lucknow Crescent,  
Thomastown, Victoria  
3074 Australia

P 1800 812 321  
F +61 3 9469 0499  
W www.billi.com.au

visit us at



Designed and manufactured in Australia to the highest quality standards