

# COMMERCIAL DATA SHEET

## Quadra Plus 21 XR & Paddle

# Billi®

### Billi Quadra Plus 21 with XR Remote Dispenser & Paddle Mixer

Enjoy all the space saving benefits of Billi's water cooled boiling and chilled Quadra systems PLUS TWO separate sink mixers to ensure safety and enhanced convenience for all users.

Requiring only cold feed mains supply, the Quadra Twin Plus mixes it's own hot water without the need for any additional under-bench space requirements or boosters.

Quadra Twin Plus models require no joinery ventilation and no more space than a standard Quadra boiling and chilled unit.

Supplied standard with a thoughtful and sophisticated remote control XR drinking water dispenser and two 6 star rated paddle lever mixer taps, the solution is both functional and appealing.



BOILING



CHILLED



PLUS



Up to 180

XR Remote Dispenser

2 x Paddle Lever Mixers

Quadra Plus Under-Bench Unit



PLUS



## Features



SPACE SAVING DESIGN



SAFE TO OPERATE



ENERGY EFFICIENT



HEAT EXCHANGE TECHNOLOGY



WATER COOLED TECHNOLOGY



NO CUPBOARD VENTILATION REQUIRED



AUSTRALIAN DESIGNED & MADE






GREENTAG CERTIFIED



EASY INSTALLATION

## PRODUCT SPECIFICATIONS

Water type	Product code	Model name	Dispenser	Suggested no. of people	50° hot water capacity litres (initial drawdown)	50° hot water delivery litres per hour	Boiling water delivery (cups per hour)*	Chilled water delivery (cups per hour)	Power supply (amps)
  BOILING CHILLED	904187RP	Quadra Twin Plus 21	XR Remote	Up to 180	21	100	350	175	20
 PLUS									

\* Based on the initial number of cups of boiling water immediately available, drawn one cup every 10 seconds. For all underbench filtered water systems, consideration may be needed for usage patterns and draw-off methods. 1 cup = 170ml

## Accessories

**992800** - 70mm Riser & Font

**992820** - 70mm Riser

**992803** - 120mm Riser & Font

**992830** - 120mm Riser



**990714** - Tubing Extension Kit for Plus unit - 1.8mtrs

## Finishes

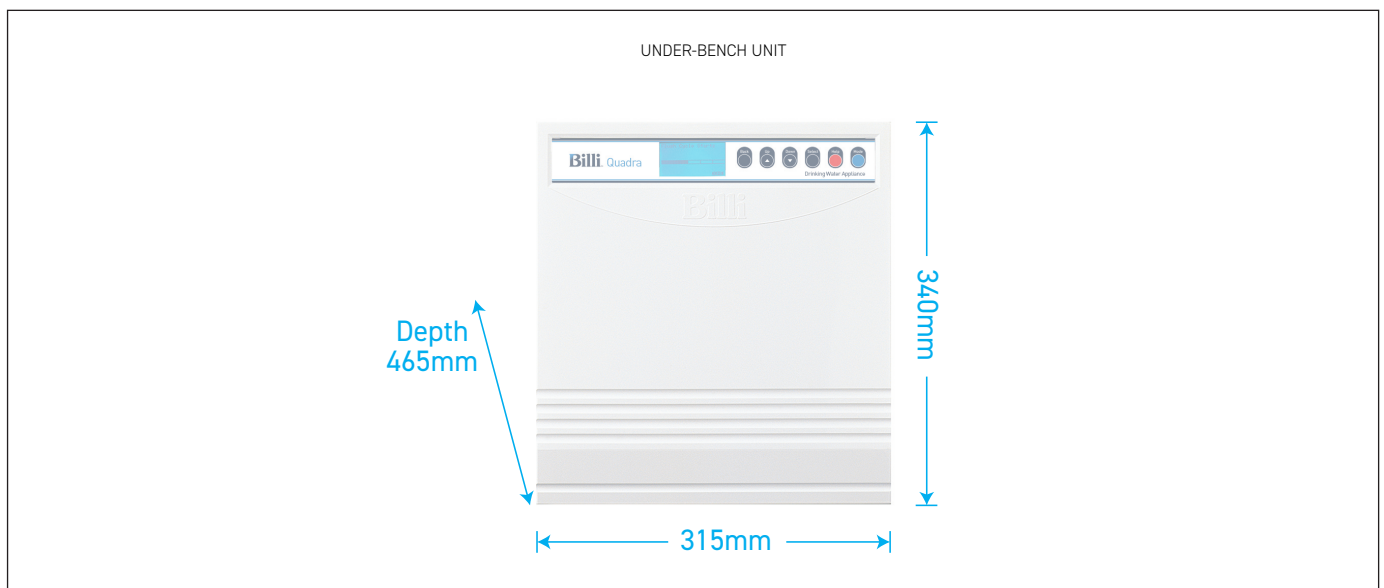
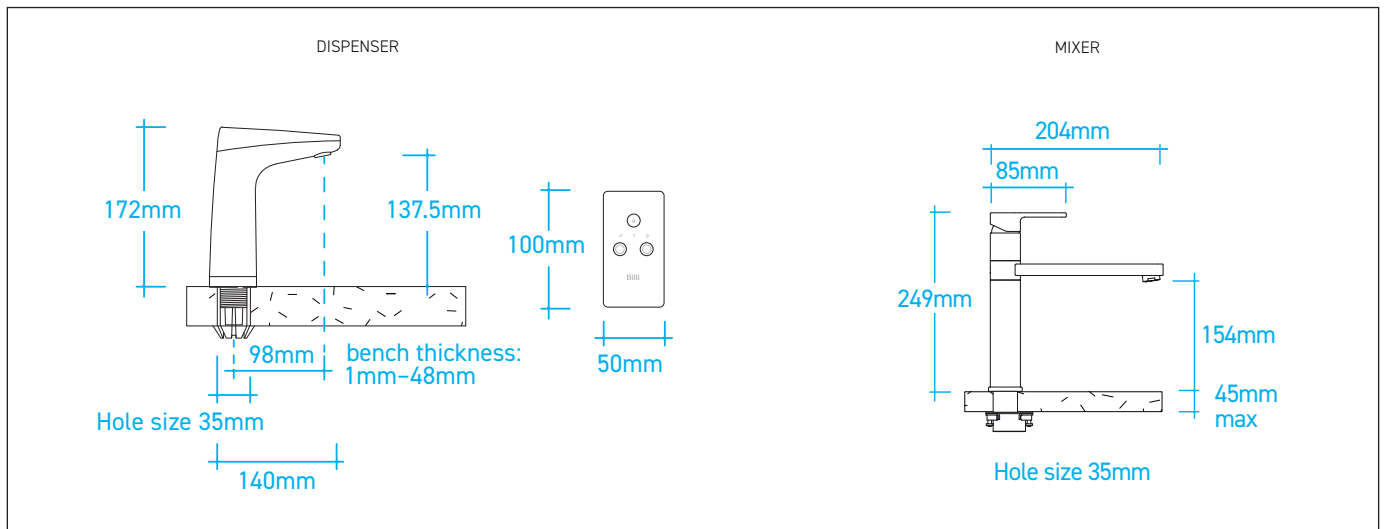
Standard Finish

CH - Chrome

Add the Finish code to the Product Code to finalise your specification, eg. 904187RPCH

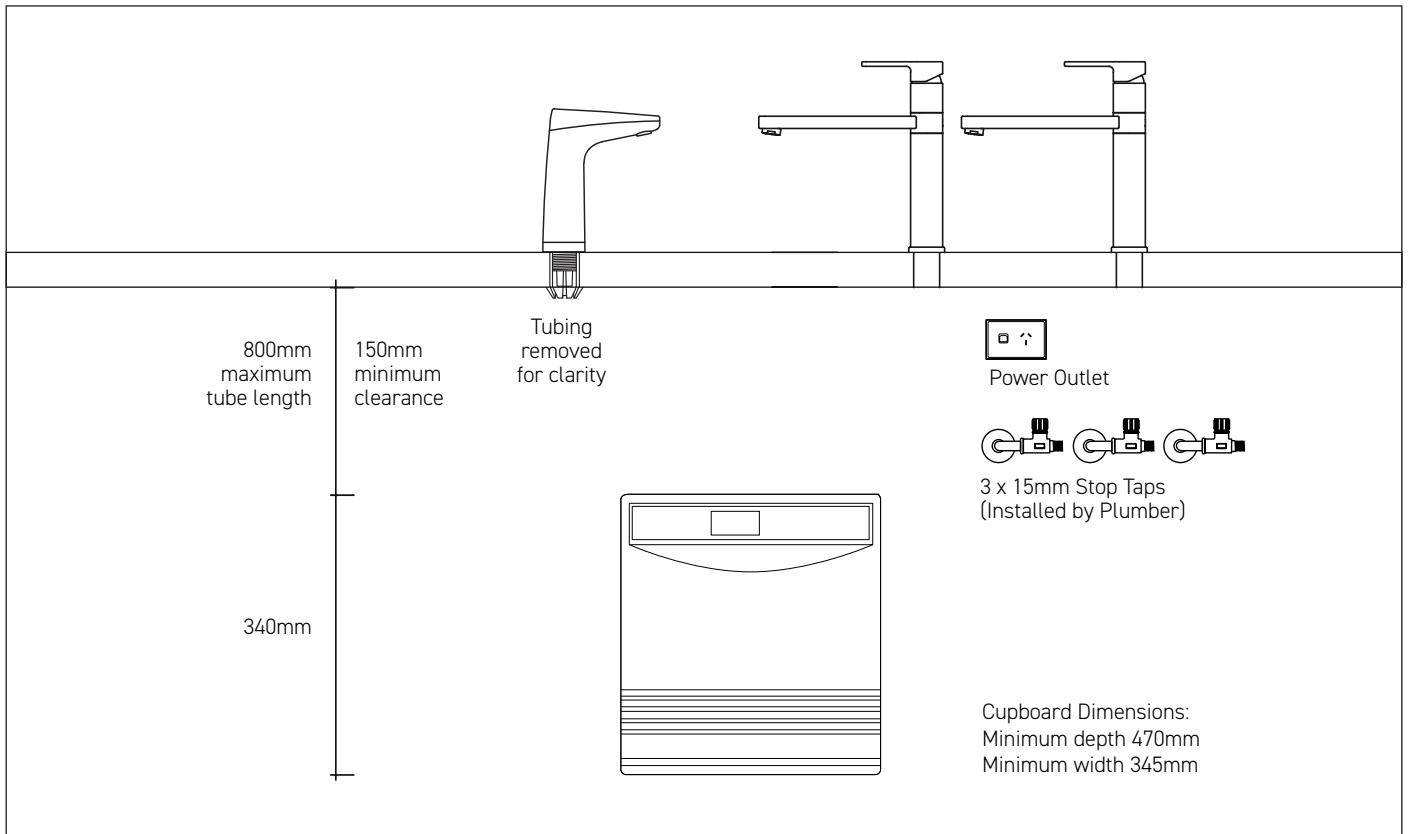
## TECHNICAL DRAWINGS

### PRODUCT DIMENSIONS



# INSTALLATION REQUIREMENTS

## PREFERRED INSTALLATION LAYOUT



### WATER SUPPLY

Three (3) 1/2" BSP (15mm) stop-taps with male threads - one cold water supply to Quadra Plus and two cold water supply to Sink Mixer - should be installed in an easily accessible position. Water supply must be microbiologically safe to drink, with a dynamic pressure of 250kPa at each outlet.

### POWER SUPPLY

A standard 20 amp power outlet is required, no further than 1000mm from the underbench unit. The system is supplied with a 1 metre flex cord and plug.

### FILTRATION

Billi's range of premium filters utilise BWT's unique Fibron X technology. Billi's filter range provides superior taste, water quality, consistent filter life and peace of mind when it comes to hygiene.

Filter supplied: 994051 (5 micron). Replacement filters available: 994052 (0.2 micron), 994054 (HSD), 994055 (XPHSD), 994056 (Sediment only) and 994060 (0.2 micron sediment only).

### CERTIFICATIONS

Every Billi drinking water appliance is manufactured under a certified quality control system. All Billi commercial range models have been tested and comply with all required standards including: Watermark: WM-021525; Certified to AS/NZ3498 and AS/NZ 4020; ISO9001:2015, QEC 11627; Section J6.6 of the BCA; Global GreenTag LCA Rate Gold; HACCP: PE-872-WAT-1-02; WELL Cornerstone Member; WELS 6 star rating registration T40034.

### WARRANTY

The Billi Quadra Twin Plus Range is covered by a comprehensive 2 year warranty on all parts and labour.

# Billi®



Billi Australia Pty Ltd  
42 Lucknow Crescent,  
Thomastown, Victoria  
3074 Australia

P 1800 812 321  
F +61 3 9469 0499  
W www.billi.com.au

visit us at



Designed and manufactured in Australia to the highest quality standards