

# HOME DATA SHEET

## Home BC XL



# Billi®

### Billi Home BC with XL Levered Dispenser

Instant boiling water or chilled water available any time of the day or night. The most popular model in the Billi Home range, the Billi Home BC is ideal for typical family use. The Home BC is space saving, energy efficient and elegant with a functional style designed for convenience and safety.

The modern XL levered dispenser is streamlined and elegant with a concealed safety lock feature to protect against scalding, and is available in a range of designer finishes to suit any modern kitchen.

Supplied standard with 994052 sub-micron filtration from BWT to deliver the freshest tasting water and ensure the health of your family & guests.



XL Levered Dispenser



Home BC Under-Bench Unit



### Features

SPACE SAVING DESIGN	SAFE TO OPERATE	SPLASHFREE DELIVERY	ENERGY EFFICIENT	HEAT EXCHANGE TECHNOLOGY
ADJUSTABLE CHILLED TEMPERATURE	RANGE OF FINISHES	EASY INSTALLATION	AUSTRALIAN DESIGNED & MADE	GREENTAG CERTIFIED

## PRODUCT SPECIFICATIONS

Water type	Product code	Model name	Dispenser	Power supply (amps)	Suggested usage
BOILING                      CHILLED	915000L	Home BC	XL Levered	10	<ul style="list-style-type: none"> <li>• Drinking water filtration</li> <li>• Cooking &amp; Food preparation</li> <li>• Instant Chilled beverages</li> <li>• Sterilisation of baby bottles</li> </ul>

\* Based on the initial number of cups of boiling water immediately available, drawn one cup every 10 seconds. For all underbench filtered water systems, consideration may be needed for usage patterns and draw-off methods. 1 cup = 170ml

### Accessories

992800 - 70mm Riser & Font



992820 - 70mm Riser



992803 - 120mm Riser & Font



992830 - 120mm Riser



990720 - Tubing Extension Kit for X series dual temp dispensers 2mtrs

### Finishes

#### Standard Finishes

CH - Chrome	BR - Brushed
MB - Matte Black	MW - Matte White

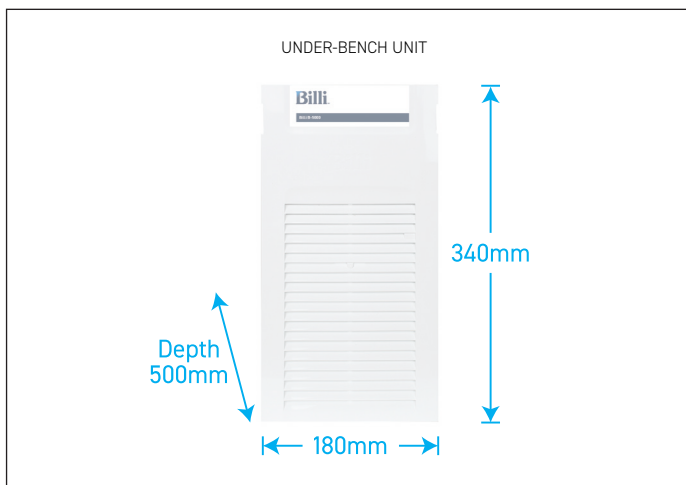
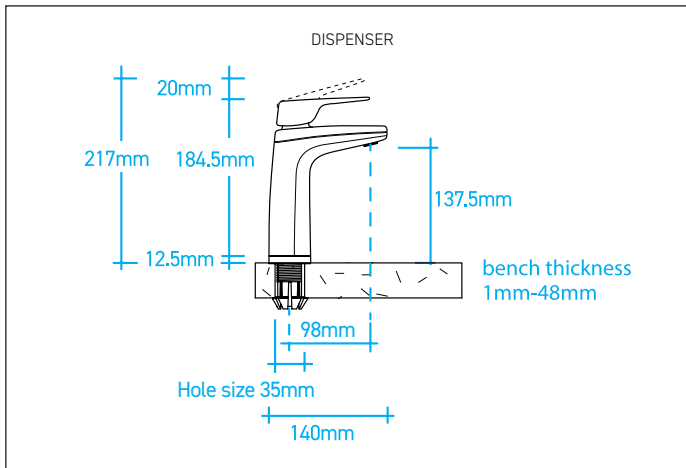
#### Special Order Finishes

RG - Rose Gold	BRG - Brushed Rose Gold	GM - Gun Metal Grey
PL - Platinum	UB - Urban Brass	

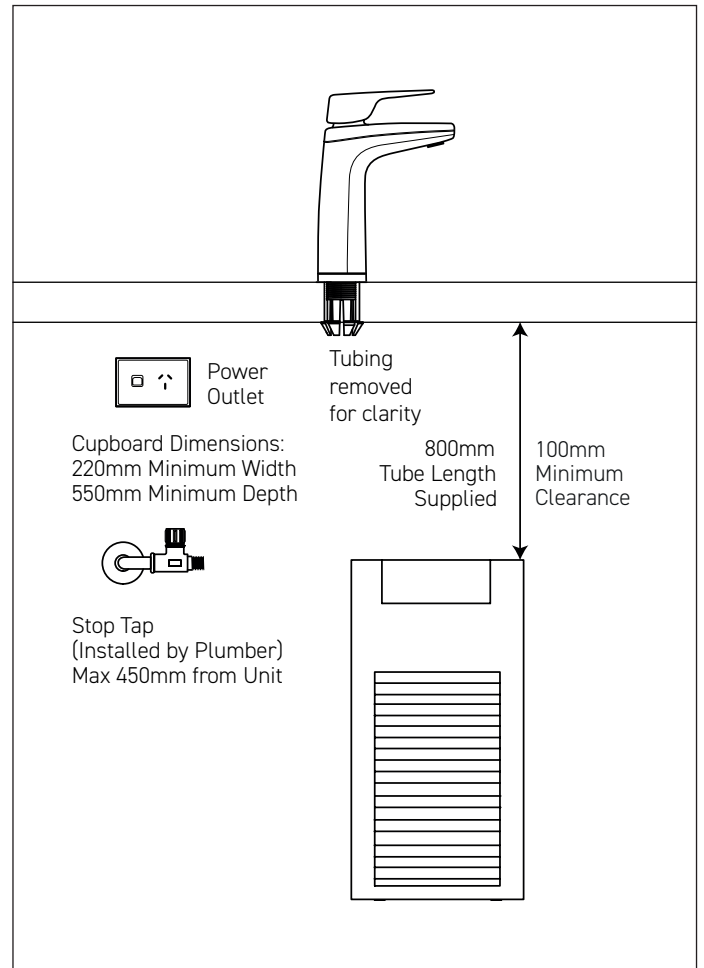
Add the Finish code to the Product Code to finalise your specification, eg. 915000LMB

# TECHNICAL DRAWING & INSTALLATION REQUIREMENTS

## PRODUCT DIMENSIONS



## PREFERRED INSTALLATION LAYOUT



### WATER SUPPLY

A single 1/2" BSP (15mm) stop-tap with a male thread should be installed in an easily accessible position. Water supply must be microbiologically safe to drink, with a minimum dynamic water pressure of 250kPa and a maximum of 1000kPa.

### POWER SUPPLY

A standard 10 amp power outlet is required, no further than 1000mm from the underbench unit. The system is supplied with a 1 metre flex cord and plug.

### FILTRATION

Billi's range of premium filters utilise BWT's unique Fibron X technology. Billi's filter range provides superior taste, water quality, consistent filter life and peace of mind when it comes to hygiene.

Filter supplied: 994052 (0.2 micron). Replacement filters available: 994051 (5 micron option), 994054 (HSD option), 994055 (XPHSD Fibron XP), 994056 (Sediment only) and 994060 (Micron HF Sediment Only).

### CERTIFICATIONS

Every Billi drinking water appliance is manufactured under a certified quality control system. All Billi commercial range models have been tested and comply with all required standards including: Watermark: WM-021525; Certified to AS/NZ3498 and AS/NZ 4020; ISO 9001:2015, QEC 11627; Section J6.6 of the BCA; AS1428; Global GreenTag; CARate Gold; WELL Cornerstone Member; HACCP: PE-872-WAT-1-02.

### WARRANTY

The Billi Home BC Range is covered by a comprehensive 2 year warranty on all parts and labour.

# Billi®

Billi Australia Pty Ltd  
42 Lucknow Crescent,  
Thomastown, Victoria  
3074 Australia

P 1800 812 321  
F +61 3 9469 0499  
W www.billi.com.au

visit us at



Designed and manufactured in Australia to the highest quality standards