



The Elkey Easy Touch is one of our most popular wall-mounted chilled drinking fountains ideal for indoor public environments.

The fountain features a Flexi-guard anti-microbial nozzle for safety, as well as an easy touch push bar control for effortless access. With its robust, wheelchair-accessible design, and a deep basin to minimise splashing, the Elkey Easy Touch is a popular choice for schools, childcare centres, sporting facilities and commercial campuses.

Product features

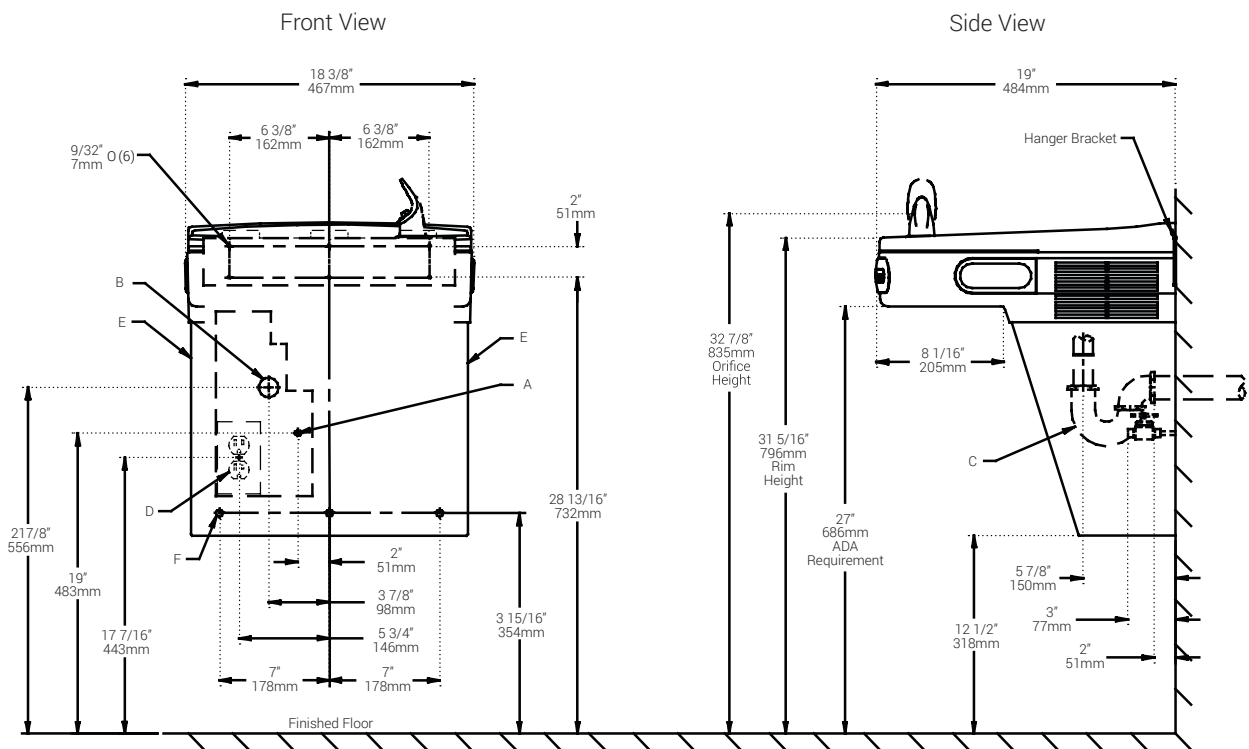
- Flexi-Guard anti-microbial safety fountain
- Easy Touch push bar controls
- Wheelchair-accessible design
- Internal drainage
- Up to five year warranty*

Technical Details

Material and Finish	Stainless steel
Power	230V/50Hz
Drinking fountain style	FlexiGuard Safety
Mounting option	Wall-mounted
Chilling option	Refrigerated (as standard)
Filter option	Non-filtered or 5 micron Filter
Dimensions	L: 46cm W: 48.3cm H: 50cm
Shipping weight	23.2kgs



*A full 5-year warranty on the compressor and hermetically sealed refrigeration systems, and 24-month parts and labour warranty on all other components
 ** Based on a 26°C inlet water temperature and a room temperature of 32°C



Reduce height by 3inches for installation of childrens ADA Cooler