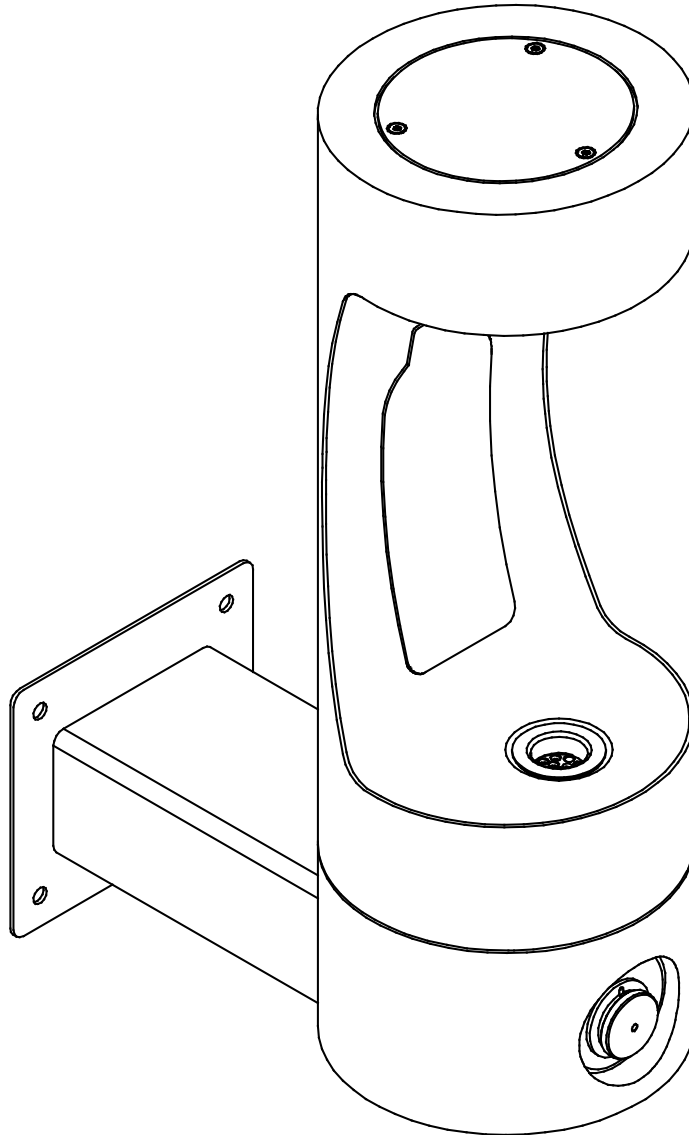


# Owners Manual

Model 4405BF

Wall Mounted Tubular Bottle Filling Fountain



## INSTALLER

4405BF Fountains are among the easiest to install Fountains on the market today. To assure you install these models easily and correctly, PLEASE READ THESE SIMPLE INSTRUCTIONS BEFORE STARTING THE INSTALLATION. CHECK YOUR INSTALLATION FOR COMPLIANCE WITH PLUMBING, ELECTRICAL, AND OTHER APPLICABLE CODES. After installation, leave these instructions with the Fountain for future reference.

# INSTALLATION INSTRUCTIONS

## IMPORTANT

**ALL SERVICE TO BE PERFORMED BY AN AUTHORIZED SERVICE PERSON**

### IMPORTANT! INSTALLER PLEASE NOTE.

THE GROUNDING OF ELECTRICAL EQUIPMENT SUCH AS TELEPHONE, COMPUTERS, ETC. TO WATER LINES IS A COMMON PROCEDURE. THIS GROUNDING MAY BE IN THE BUILDING OR MAY OCCUR AWAY FROM THE BUILDING. THIS GROUNDING CAN CAUSE ELECTRICAL FEEDBACK INTO A FOUNTAIN, CREATING AN ELECTROLYSIS WHICH CAUSES A METALLIC TASTE OR AN INCREASE IN THE METAL CONTENT OF THE WATER. THIS CONDITION IS AVOIDABLE BY USING THE PROPER MATERIALS AS INDICATED. ANY DRAIN FITTINGS PROVIDED BY THE INSTALLER SHOULD BE MADE OF PLASTIC TO ELECTRICALLY ISOLATE THE FOUNTAIN FROM THE BUILDING PLUMBING SYSTEM.

1. This fountain is to be mounted on a smooth, flat, finished surface with adequate support structure. NOTE: Mounting structure must be capable of supporting 300 lb. load on fountain.
2. Refer to rough-in for plumbing.
3. Install shut-off valve on water supply. (Valve not furnished)
4. Locate and install fountain using 3/8" minimum fasteners. (Fasteners not furnished).
5. Prior to installing the bottle filler to the fountain, insert the drain tube (Item # 5) into the arm tunnel and adjust drain to lean to the left side of arm when facing button. Install bottle filler to fountain being sure drain tube is above mounting plate of filler. Install mounting hardware to secure filler to fountain.
6. Connect water supply and fountain drain. Water connection and drain must comply with local codes.
7. Turn on water supply and check all connections for leaks.

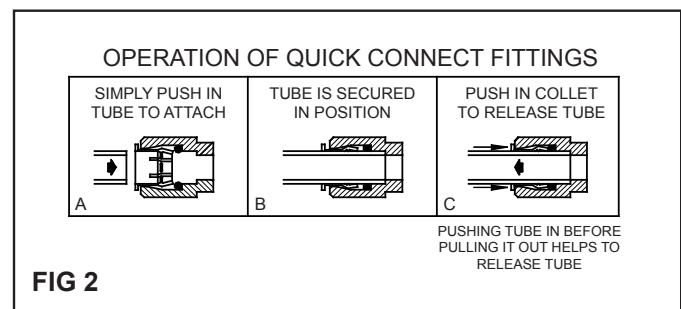
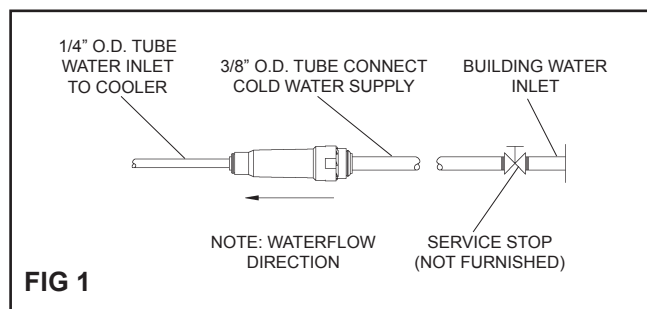
CAUTION: This fountain is rated for inlet water pressure of 20-105 PSI. A pressure reducing regulator should be used if the inlet water supply exceeds 105 PSI. Any damage caused by reason of connecting this product to supply line pressures lower than 20 PSI or higher than 105 PSI is not covered by warranty.

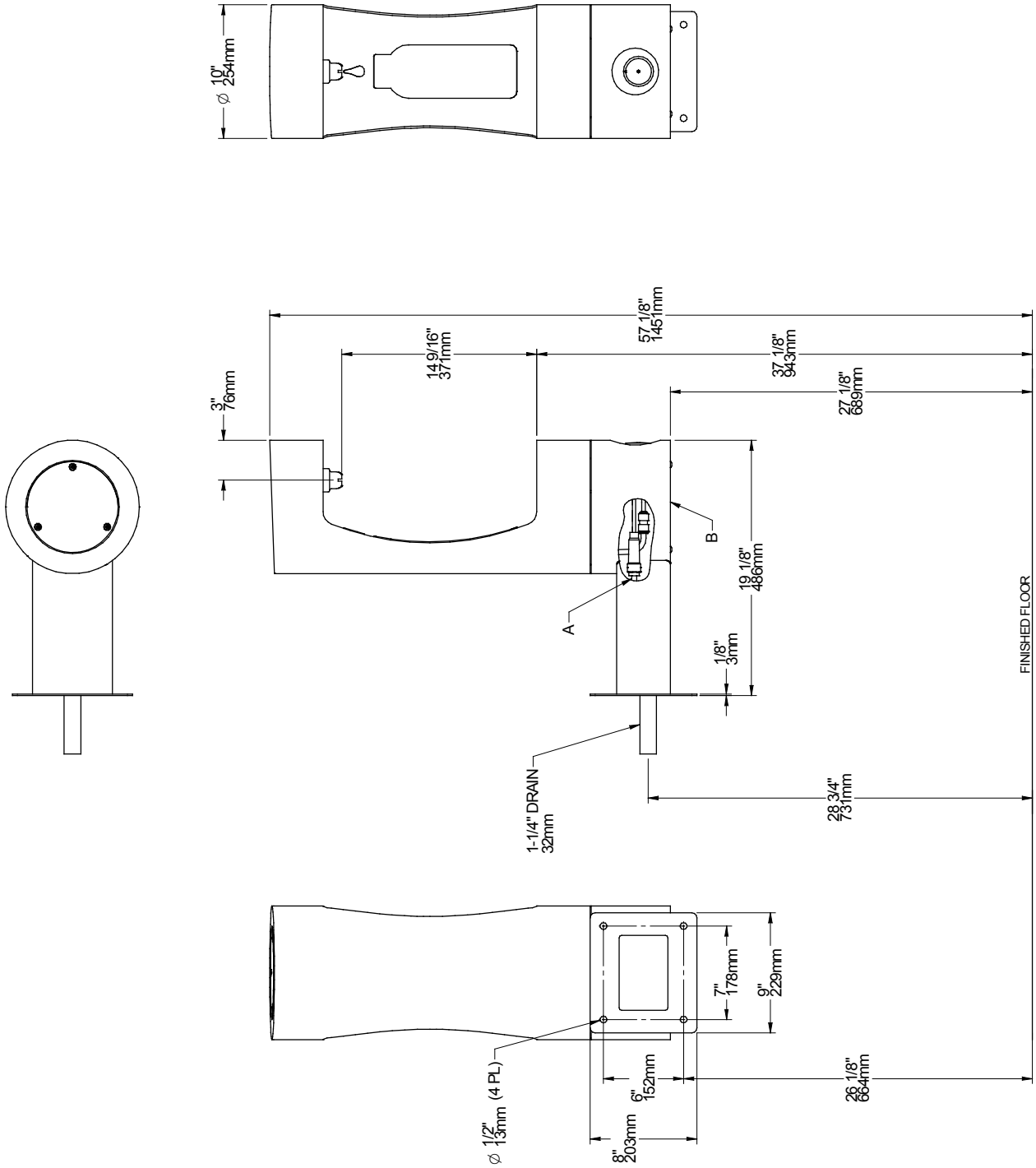
8. Water supply 3/8" O.D. unplated copper tube. Waste 1-1/4" IPS. Contractor to supply waste trap and service stop valve in accordance with local code.
9. Connecting lines to be made of unplated copper and should be thoroughly flushed to remove all foreign matter before being connected to fountain. This fountain is manufactured in such a manner that it does not in any way cause taste, odor, color, or sediment problems.
10. Connect fountain to supply line with a shut-off valve and install a 3/8" unplated copper water line between the valve and the cooler. Remove any burrs from outside of water line. Push the tubes straight into the fittings until they reach a positive stop, approximately 3/4" (See Fig. 2). DO NOT SOLDER TUBES INSERTED INTO THE STRAINER AS DAMAGE TO THE O-RINGS MAY RESULT.

## TROUBLE SHOOTING AND MAINTENANCE

### ACTUATION OF QUICK CONNECT WATER FITTINGS:

Fountain is provided with lead-free connectors which utilize an o-ring water seal. To remove tubing from the fitting, relieve water pressure, push in on the gray collar while pulling on the tubing. (see Fig.2) To insert tubing, push tube straight into fitting until it reaches a positive stop, approximately 3/4".





**LEGEND**  
 A = 3/8" O.D. UNPLATED COPPER TUBE CONNECT - SHUT OFF VALVE BY OTHERS  
 B = REMOVABLE BOTTOM COVER

ITEMIZED PARTS LIST

| ITEM NO. | PART NO.    | DESCRIPTION  |
|----------|-------------|--|
| 1        | 1000003814* | Cover - Round Plate                                    |
| 2        | 45931C      | Outdoor Bottle Filler Drain Plug                       |
| 3        | 1000003813* | Bottom Cover   |
| 4        | 55996C      | In - Line Strainer                                     |
| 5        | 66816C      | Tube - Drain   |
| 6        | 98686C      | Kit - Bottle Filler Waterway/Gasket/Nipple/Tubes/Ftngs |
| 7        | 97247C      | Kit - VR Torx Screws/Bit                               |
| 8        | 98678C      | Kit - 1.0 GPM Regulator/Holder/Nut (BF Only)           |
| 9        | 98679C      | Kit - Nozzle/Aerator/Gasket/Pin                        |
| 10       | 98680C      | Kit - Aerator/Key                                      |
| 11       | 98681C      | Kit - Blank Bottle Filler Trim                         |
|          | 1000003692  | Kit - LK4405 Bottle Filler Trim                        |
|          | 1000003693  | Kit - 4405 Bottle Filler Trim                          |
| 12       | 98682C      | Kit - Push Button w/Blank Nameplate                    |
|          | 1000003694  | Kit - Push Button w/LK4405 Nameplate                   |
|          | 1000003695  | Kit - Push Button w/4405 Nameplate                     |
| 13       | 98683C      | Kit - Drain Adapter/Gasket/Nut/Washer                  |
| 14       | 98685C      | Kit - Hardware/Bolts/Nuts/Washers/Torx Screws          |
| 15       | 75724C      | Screw - 1/4"x20 x 3/4" LG. Pinned Torx                 |

\*select color option to complete part number

**\*FINISH COLOR OPTIONS – Choose color option to complete your model number, add as suffix example: 4405BF<sub>EVG</sub>**

Matte finish:  Evergreen = **EVG**

Gloss finish:

- |   |  |  |
|---|--|--|
| <input type="checkbox"/> Beige = <b>BGE</b> | <input type="checkbox"/> Gray = <b>GRY</b>   | <input type="checkbox"/> Terracotta = <b>TER</b> |
| <input type="checkbox"/> Black = <b>BLK</b> | <input type="checkbox"/> Orange = <b>ORN</b> | <input type="checkbox"/> White = <b>WHT</b>      |
| <input type="checkbox"/> Blue = <b>BLU</b>  | <input type="checkbox"/> Purple = <b>PUR</b> | <input type="checkbox"/> Yellow = <b>YLW</b>     |
| <input type="checkbox"/> Brown = <b>BRN</b> | <input type="checkbox"/> Red = <b>RED</b>    |  |

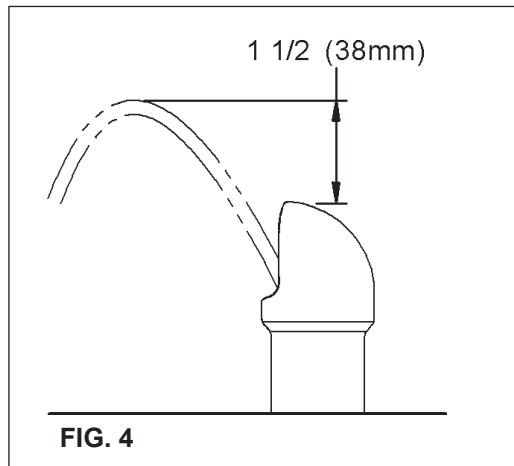
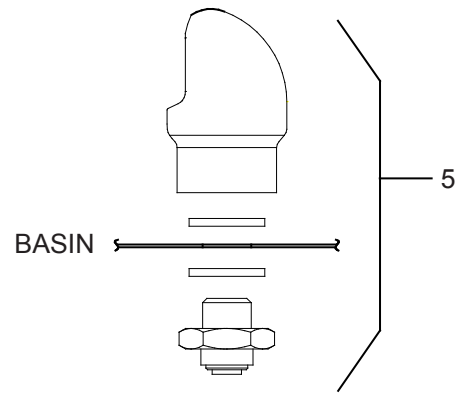


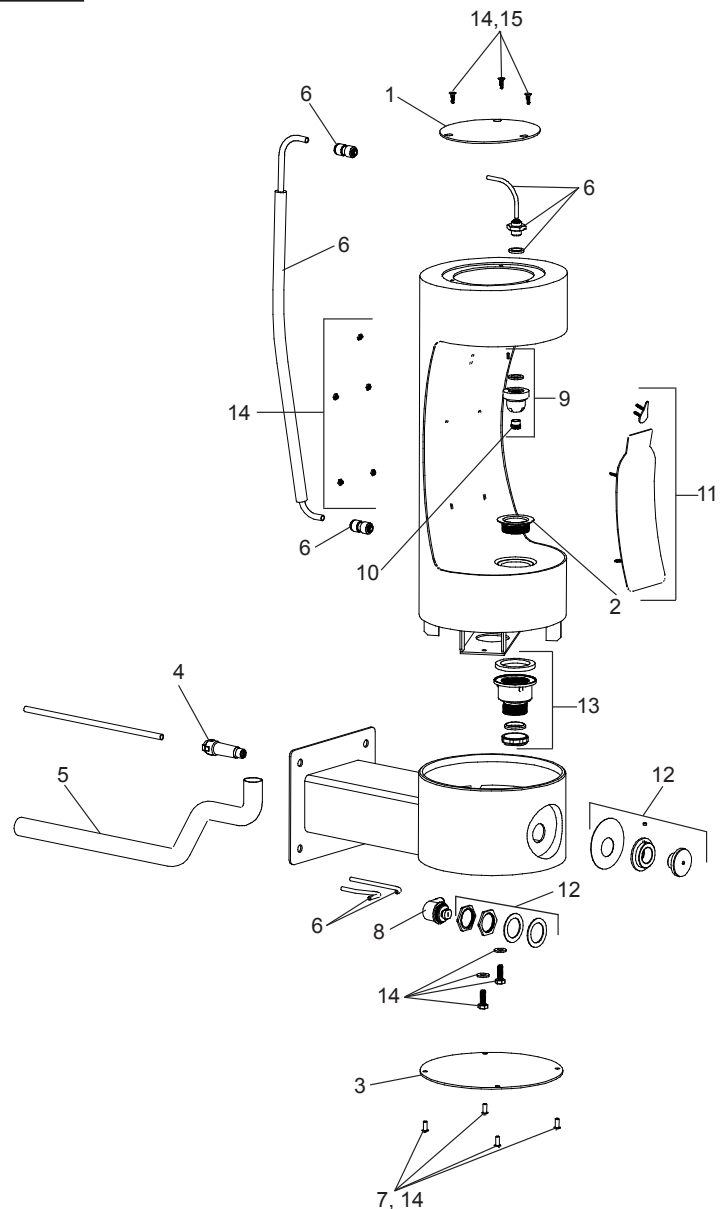
FIG. 4

**STREAM HEIGHT ADJUSTMENT:**

Stream height is factory set at 35 psi. If supply pressure varies greatly from this, insert a small straight bladed screwdriver through the access hole in the center of the push button and turn the adjustment screw. Clockwise adjustment will raise the stream and counterclockwise adjustment will lower the stream. For best adjustment, the stream should be approximately 1 1/2" above the top of the bubbler.



**Vandal-Resistant Bubbler**  
**FIG. 3**



The logo consists of a dark blue vertical rectangle with the word "MERQUIP" written in white, uppercase, sans-serif font, oriented vertically from bottom to top.

## **IMPORTANT – Elkay Installation Notice – New Zealand**

Installation of Elkay drinking water systems must be carried out by licensed tradesmen in accordance with New Zealand regulations relating to plumbing and electrical codes. Failure to do so may result in voiding warranty.