

# COMMERCIAL DATA SHEET

## Alpine 060 Extended Spout Square



### Billi Alpine 060 Extended Spout Square Dispenser

Enjoy refreshing chilled and a continuous supply of filtered water. Billi's Alpine 060 offers a premium filtered drinking water experience.

Even after the chilled tank reserve has been depleted, the Alpine 060 Extended Spout Square Dispenser is capable of dispensing a continuous stream of cool filtered water, supplied from the square slimline extended spout dispenser with single paddle lever operation.



CHILLED



Extended Spout Square Dispenser



Alpine Under-Bench Unit



### Features



SPACE SAVING DESIGN



ENERGY EFFICIENT



NO CUPBOARD VENTILATION REQUIRED



UNLIMITED FILTERED WATER



ADJUSTABLE CHILLED TEMPERATURE



WATER COOLED TECHNOLOGY



RANGE OF FINISHES



EASY INSTALLATION



AUSTRALIAN DESIGNED & MADE



HACCP CERTIFIED

## PRODUCT SPECIFICATIONS

Water type	Product code	Model name	Dispenser	Suggested no. of people	Chilled water delivery (cups per hour)	Power supply (amps)
CHILLED	932060E	Alpine 060	Extended Spout Square Dispenser	Up to 12	60	10

### Accessories

**992810** - Slimline Font

**990724** - Tubing Extension Kit for Slimline 2mtrs



### Finishes

Standard Finishes

CH - Chrome

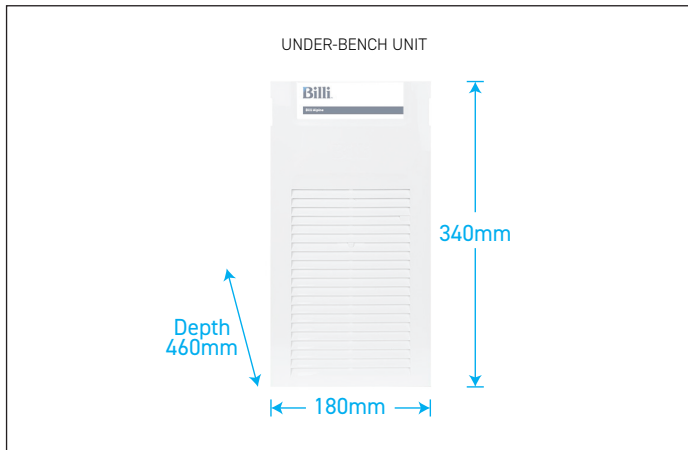
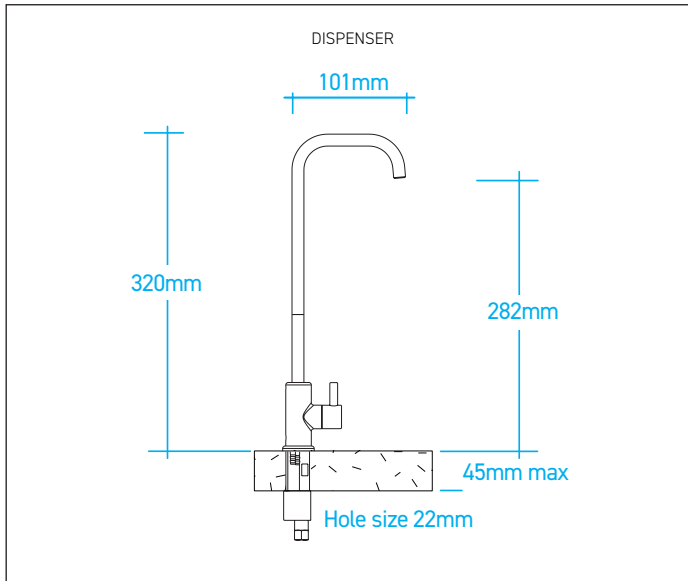
BR - Brushed

MB - Matte Black

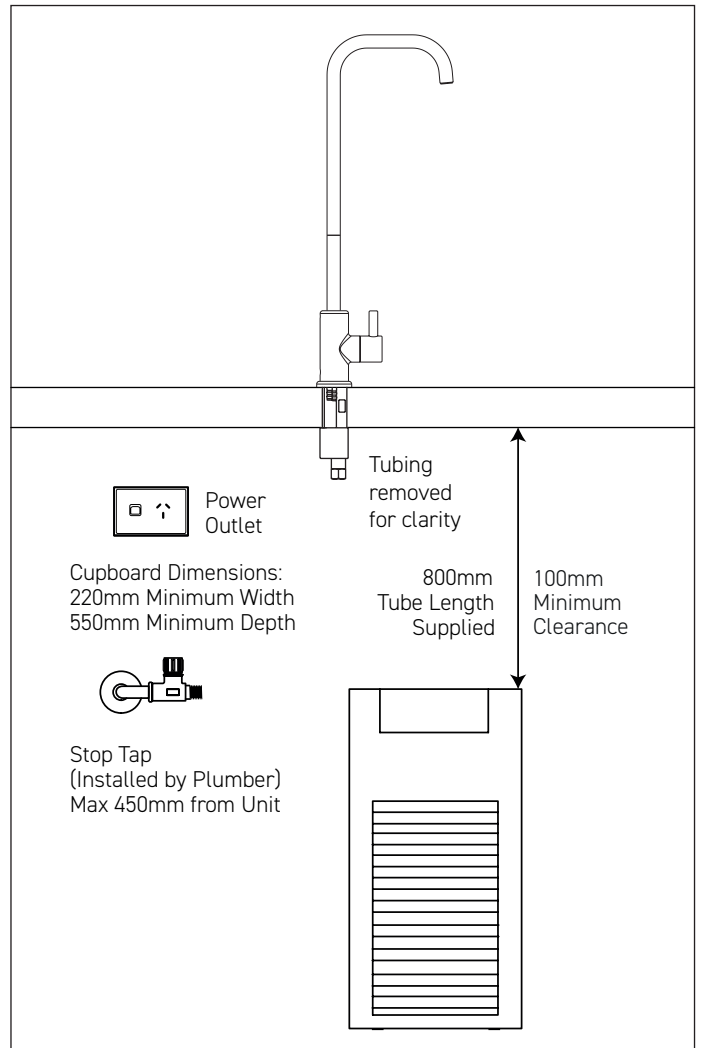
Add the Finish code to the Product Code to finalise your specification, eg. 932060EMB

# TECHNICAL DRAWING & INSTALLATION REQUIREMENTS

## PRODUCT DIMENSIONS



## PREFERRED INSTALLATION LAYOUT



### WATER SUPPLY

A single 1/2" BSP (15mm) stop-tap with a male thread should be installed in an easily accessible position. Water supply must be microbiologically safe to drink, with a minimum dynamic water pressure of 250kPa and a maximum of 1000kPa.

### POWER SUPPLY

A standard 10 amp power outlet is required, no further than 1000mm from the underbench unit. The system is supplied with a 1 metre flex cord and plug.

### FILTRATION

Billi's range of premium filters utilise BWT's unique Fibron X technology. Billi's filter range provides superior taste, water quality, consistent filter life and peace of mind when it comes to hygiene.

Filter supplied: 994051 (5 micron). Replacement filters available: 994052 (0.2 micron), 994054 (HSD), 994055 (XPHSD), 994056 (Sediment only) and 994060 (0.2 micron sediment only).

### CERTIFICATIONS

Every Billi drinking water appliance is manufactured under a certified quality control system. All Billi commercial range models have been tested and comply with all required standards including: WaterMark: WM-021882; HACCP: PE-872-WAT-1-02; ISO 9001:2015, QEC 11627; Tested to ATS5200.105 and AS/NZ 4020; Section J6.6 of the BCA; WELL Cornerstone Member; WELS 6 star rating registration T26065.

### WARRANTY

The Billi Alpine Range is covered by a comprehensive 2 year warranty on all parts and labour.

# Billi®

Billi Australia Pty Ltd

P 1800 812 321  
W www.billi.com.au

Billi New Zealand Ltd T/As Merquip

P 0800 636 0 636  
W www.merquip.co.nz

visit us at

