

COMMERCIAL DATA SHEET

Filter Tap Extended Spout Square Dispenser

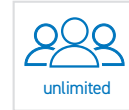


Billi Filter Tap Extended Spout Square Dispenser

Instant filtered water on tap. The Still Filter Tap is an entry level solution allowing users the convenience of filtered still drinking water along with elegant functional design.



STILL FILTERED



unlimited

Extended Spout Square Dispenser



Underbench Filter Housing



Features



UNLIMITED FILTERED WATER



SPACE SAVING DESIGN



RANGE OF FINISHES



AUSTRALIAN DESIGNED & MADE



EASY INSTALLATION

PRODUCT SPECIFICATIONS

Water type	Product code	Model name	Dispenser	Suggested no. of people	Still water delivery (cups per hour)
 STILL FILTERED	932210E	Filter Tap	Extended Spout Square Dispenser	unlimited	unlimited

Accessories

992810 - Slimline Font

990724 - Tubing Extension Kit for Slimline 2mtrs



Finishes

Standard Finishes

CH - Chrome

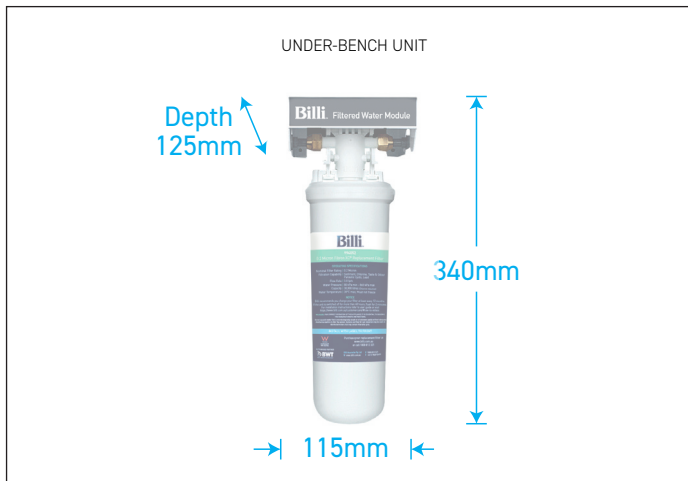
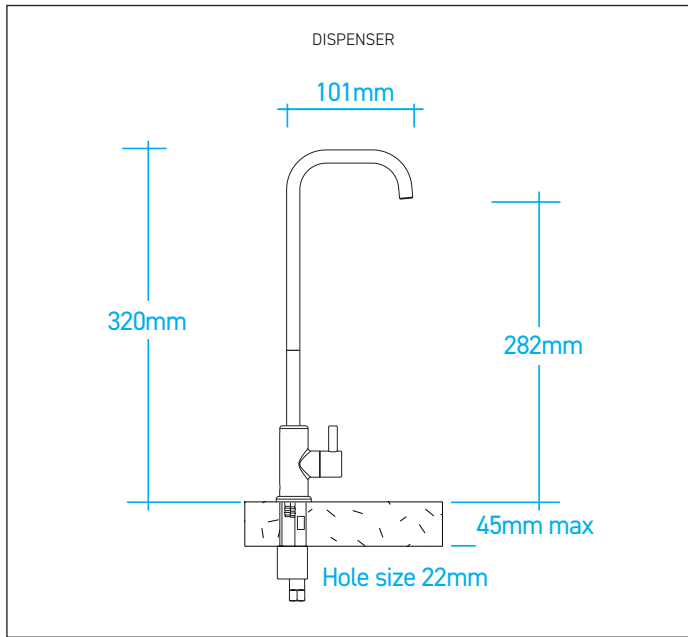
BR - Brushed

MB - Matte Black

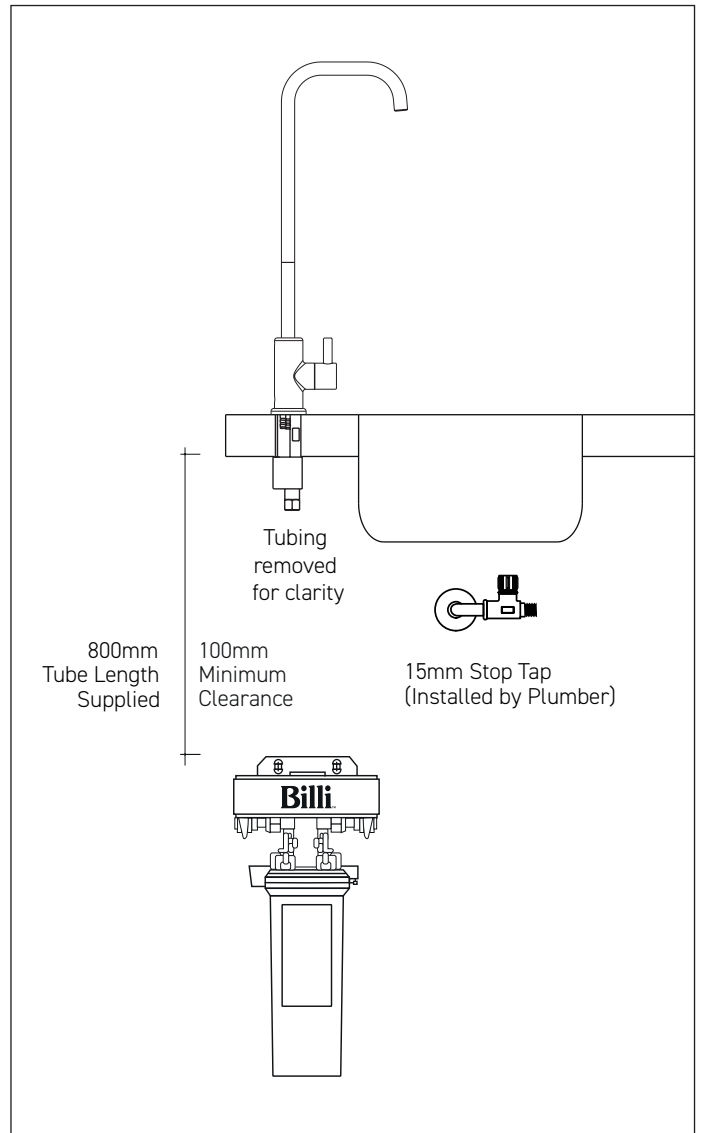
Add the Finish code to the Product Code to finalise your specification, eg. 932210EMB

TECHNICAL DRAWING & INSTALLATION REQUIREMENTS

PRODUCT DIMENSIONS



PREFERRED INSTALLATION LAYOUT



WATER SUPPLY

A single 1/2" BSP (15mm) stop-tap with a male thread should be installed in an easily accessible position. Water supply must be microbiologically safe to drink, with a minimum dynamic water pressure of 250kPa and a maximum of 1000kPa.

FILTRATION

Billi's range of premium filters utilise BWT's unique Fibron X technology. Billi's filter range provides superior taste, water quality, consistent filter life and peace of mind when it comes to hygiene.

Filter supplied: 994051 (5 micron). Replacement filters available: 994052 (0.2 micron), 994054 (HSD), 994055 (XPHSD), 994056 (Sediment only) and 994060 (0.2 micron sediment only).

CERTIFICATIONS

Every Billi drinking water appliance is manufactured under a certified quality control system. All Billi commercial range models have been tested and comply with all required standards including: Watermark: WM-021882; Certified to AS/NZ3498 and AS/NZ 4020; ISO9001:2015, QEC 11627; WELL Cornerstone Member; WELS 6 star rating registration T26065.

WARRANTY

The Billi Filter Tap Range is covered by a comprehensive 2 year warranty on all parts and labour.

Billi®



Billi Australia Pty Ltd

P 1800 812 321
W www.billi.com.au

Billi New Zealand Ltd T/As Merquip

P 0800 636 0 636
W www.merquip.co.nz

visit us at

