

# HOME DATA SHEET

## Billi Home C Extended Spout Square



# Billi®

### Billi Home C Extended Spout Square Dispenser

Refreshing chilled filtered water conveniently at your fingertips. With a large chilling capacity and a never-ending supply of filtered water once the chilled tank has been depleted, the Home C is ideal for typical family use, glass after glass.

The stylish extended spout square dispenser is available in a range of finishes that are sure to be compatible to any kitchen decor.

Supplied standard with 994052 sub-micron filtration from BWT to deliver the freshest tasting water and ensure the health of your family & guests.



CHILLED

Extended Spout Square Dispenser



Home C Under-Bench Unit



### Features



## PRODUCT SPECIFICATIONS

Water type	Product code	Model name	Dispenser	Power supply (amps)	Suggested Usage
CHILLED	932210E	Home C	Extended Spout Square Dispenser	10	<ul style="list-style-type: none"><li>• Drinking water filtration</li><li>• Instant Chilled beverages</li><li>• Cooking &amp; Food preparation</li></ul>

### Accessories

**992810** - Slimline Font

**990724** - Tubing Extension Kit for Slimline 2mtrs



### Finishes

Standard Finishes

CH - Chrome

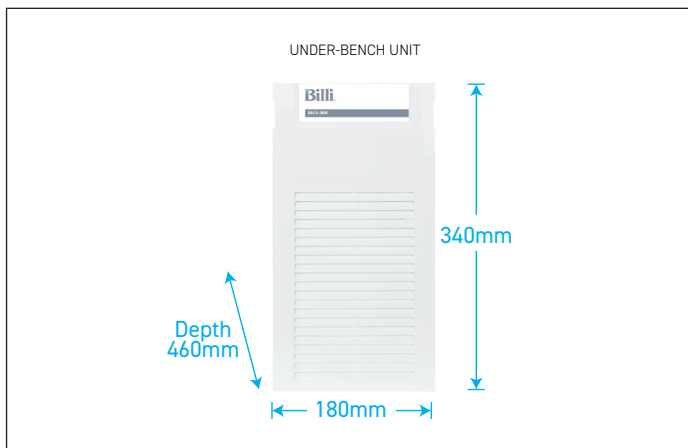
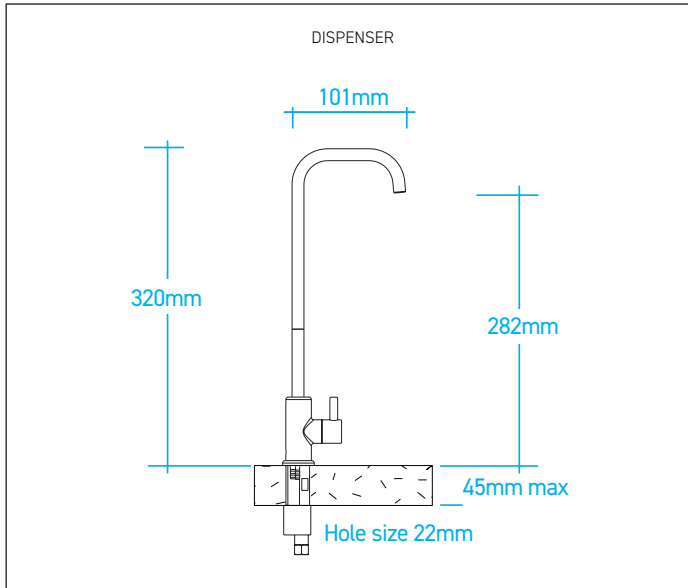
BR - Brushed

MB - Matte Black

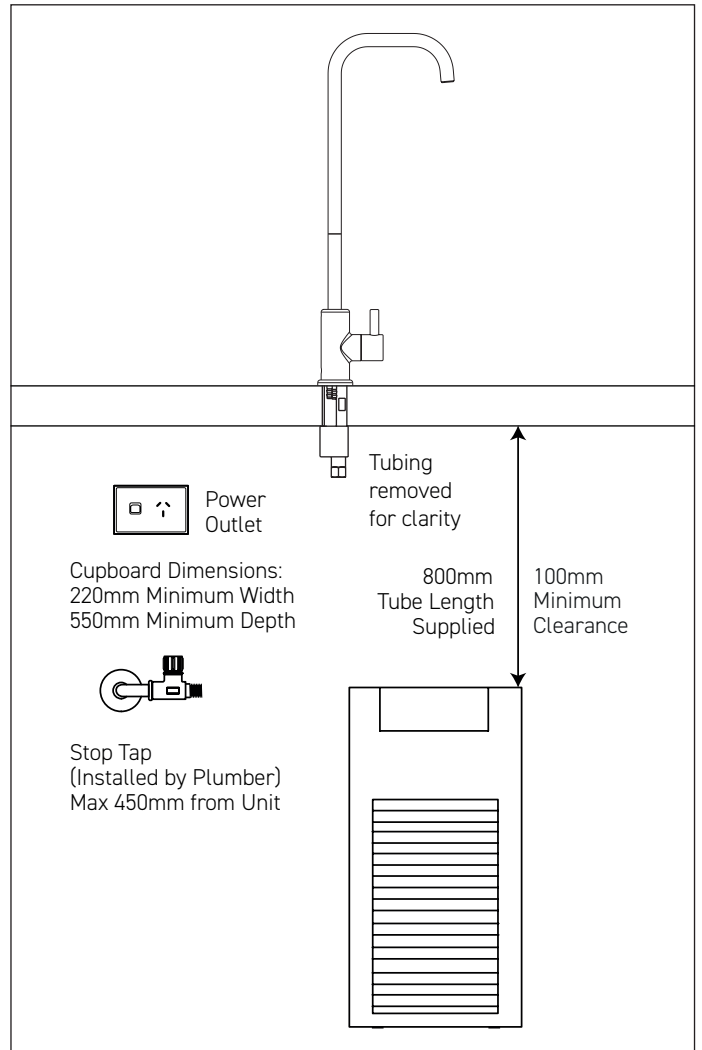
Add the Finish code to the Product Code to finalise your specification, eg. 932210EMB

# TECHNICAL DRAWING & INSTALLATION REQUIREMENTS

## PRODUCT DIMENSIONS



## PREFERRED INSTALLATION LAYOUT



### WATER SUPPLY

A single 1/2" BSP (15mm) stop-tap with a male thread should be installed in an easily accessible position. Water supply must be microbiologically safe to drink, with a minimum dynamic water pressure of 250kPa and a maximum of 1000kPa.

### POWER SUPPLY

A standard 10 amp power outlet is required, no further than 1000mm from the underbench unit. The system is supplied with a 1 metre flex cord and plug.

### FILTRATION

Billi's range of premium filters utilise BWT's unique Fibron X technology. Billi's filter range provides superior taste, water quality, consistent filter life and peace of mind when it comes to hygiene.

Filter supplied: 994052 (0.2 micron). Replacement filters available: 994051 (5 micron option), 994054 (HSD option), 994055 (XPHSD Fibron XP), 994056 (Sediment only) and 994060 (Micron HF Sediment Only).

### CERTIFICATIONS

Every Billi drinking water appliance is manufactured under a certified quality control system. All Billi home range models have been tested and comply with all required standards including: Watermark: WM-021882; HACCP: PE-872-WAT-1-02; ISO 9001:2015, QEC 11627; Tested to ATS5200.105 and AS/NZ 4020; Section J6.6 of the BCA; WELL Cornerstone Member.

### WARRANTY

The Billi Home C Range is covered by a comprehensive 2 year warranty on all parts and labour.

# Billi®



Billi Australia Pty Ltd

P 1800 812 321

W www.billi.com.au

Billi New Zealand Ltd T/As Merquip

P 0800 636 0 636

W www.merquip.co.nz

visit us at

